



Wide Type *Linear Guide*

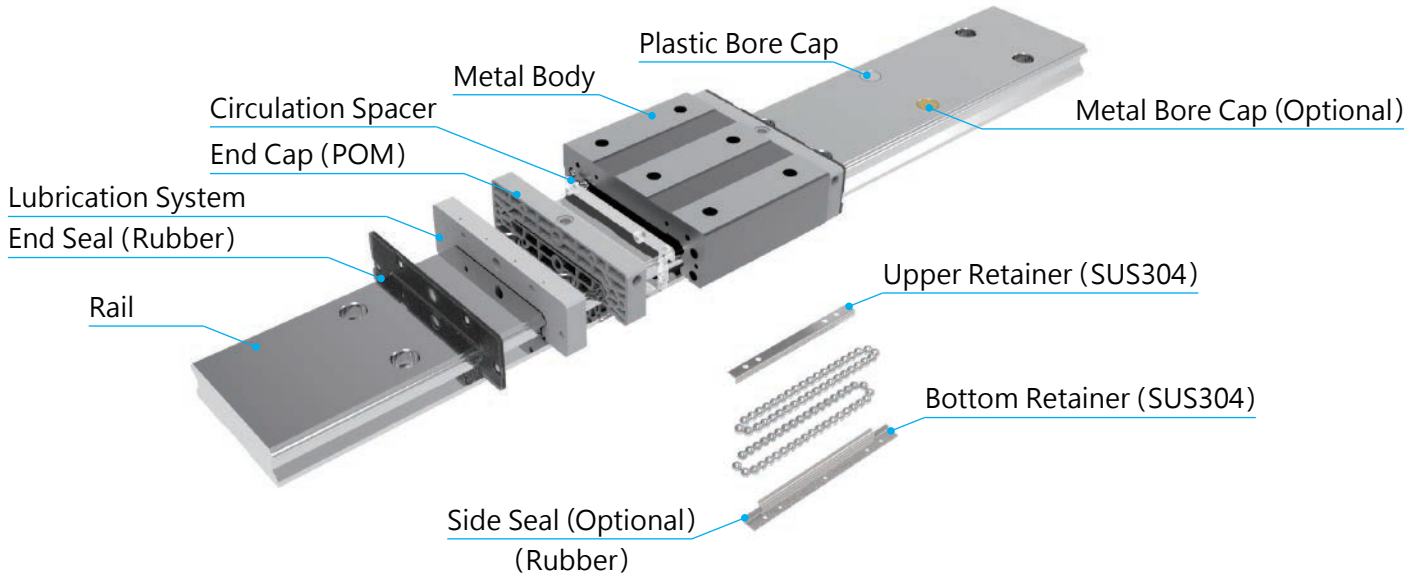
STAF BGXW Series

- ▶ Low Assembly Height
- ▶ Space Saving
- ▶ High Torque



- Patented circulation spacer with sealing and circulation function integrated
- Superior dust proof ability and diverse accessories combination inherited from the BG series

STAF Product Features

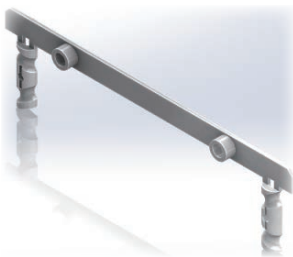


Lubrication System



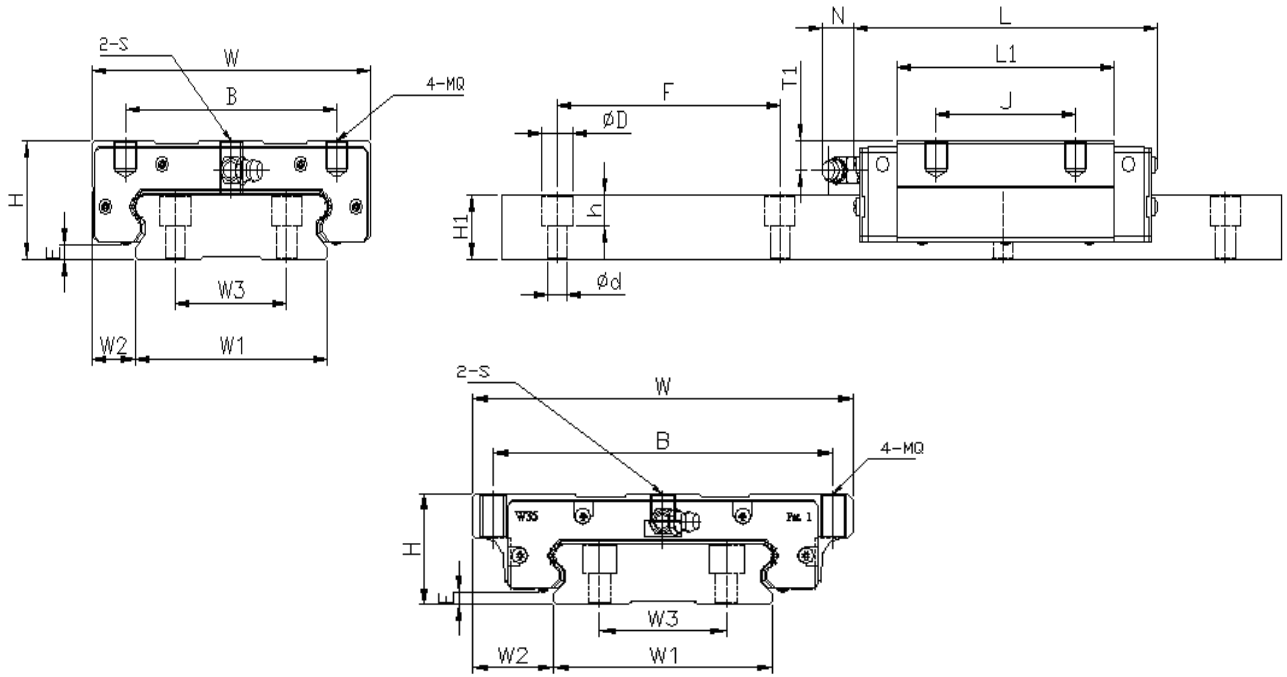
STAF Lubrication System continuously provides lubricant in appropriate amount onto the raceway. The amount of lubricant is controlled by capillary phenomenon, which would significantly extend the maintenance intervals and is Eco-friendly as surplus lubricant can be absorbed back and reused.

Circulation Spacer



The unique integrated design of circulation spacer provides stable motion performance and greatly enhances the lubrication capability (uniform grease distribution and no leakage).

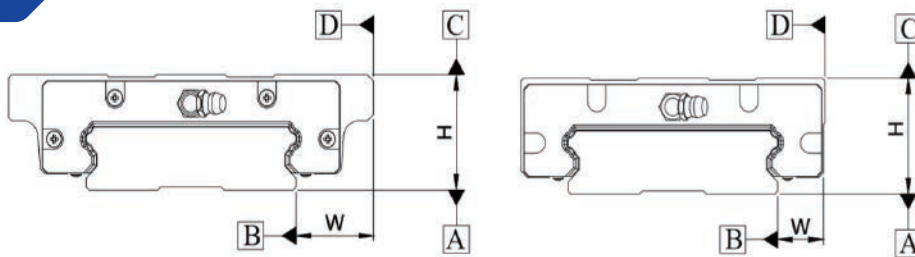
BGXW Specifications



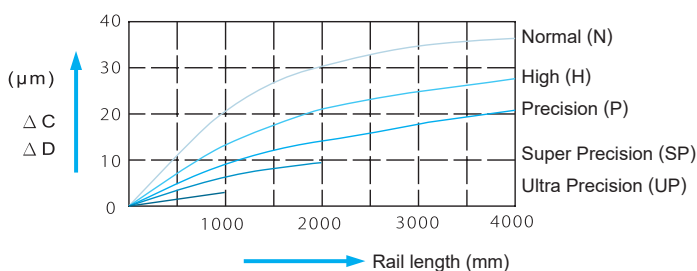
Unit : mm

Type	Overall dimensions (mm)				Carriage dimensions (mm)								Rail dimensions (mm)								Basic static load rating (kN)		Basic static moment (kN-m)			Carriage	Rail
	H	W	W2	E	L	B	J	MQ	L1	Oil H	T1	N	W1	W3	H1	F	d	D	h	C-BGXW	C0	Mx	My	Mz	kg	kg/m	
BGXW-21BN	21	54	8.5	3	61.1	31	19	M5	40.6	M6×1	5.05	(13)	37	22	11	50	4.5	7.5	5.3	7.2	12.9	0.23	0.07	0.07	0.2	3	
BGXW-21FN	21	68	15.5	3	61.1	60	29	M5	40.6	M6×1	5.05	(13)	37	22	11	50	4.5	7.5	5.3	7.2	12.9	0.23	0.07	0.07	0.26	3	
BGXW-27BN	27	62	10	3	73.2	46	32	M6	51.8	M6×1	6	(13)	42	24	15	60	4.5	7.5	5.3	12.76	21.58	0.45	0.16	0.16	0.35	4.6	
BGXW-27FN	27	80	19	3	73.2	70	40	M6	51.8	M6×1	6	(13)	42	24	15	60	4.5	7.5	5.3	12.76	21.58	0.45	0.16	0.16	0.52	4.6	
BGXW-35BN	35	100	15.5	4	103.8	76	50	M8	78	M6×1	8.74	(13)	69	40	19	80	7	11	9	29.41	50.51	1.73	0.57	0.57	1.1	9.5	
BGXW-35FN	35	120	25.5	4	103.8	107	60	M8	78	M6×1	8.74	(13)	69	40	19	80	7	11	9	29.41	50.51	1.73	0.57	0.57	1.45	9.5	

Datum Planes



Precision Classes



Unit : mm

Item	Class	Normal (N)	High (H)	Precise (P)	Super Precise (SP)	Ultra Precise (UP)
Overall height tolerance (H)		±0.1	±0.04	⁰ _{-0.04}	⁰ _{-0.02}	⁰ _{-0.01}
Overall width tolerance (W)		±0.1	±0.04	⁰ _{-0.04}	⁰ _{-0.02}	⁰ _{-0.01}
Matching height difference (ΔH)		0.03	0.02	0.01	0.005	0.003
Matching width difference (ΔW)		0.03	0.02	0.01	0.005	0.003
Deviation of plane C vs. plane A		ΔC: Refer to above figure.				
Deviation of plane D vs. plane B		ΔD: Refer to above figure.				

Product Coding

BGXW 35 B N - 2 - UU - L 500 - P - Z1 - II - R 1

Carriage type :
BGXW

Size :
21, 27, 35

Carriage design :
B : Block (squared) F : Flange

Carriage length :
N : Standard

Number of carriages

Seal combination :
-- : End seal + Side seal
UU : End seal
DD : Double end seal + Side seal
ZZ : End seal + Side seal + Metal scraper
KK : Double end seal + Side seal + Metal scraper
A : Self-lubrication

Rail mounting type :
L : Counterbored holes (standard) C : Bottom tapped holes

Rail length (mm)

Precision grades :
N : Normal H : High P : Precision SP : Super precision UP : Ultra precision

Preload grade :
Z0 : No preload Z1 : Light preload Z2 : Medium preload

Number of parallel rails

Surface treatment (applicable for precision class N and H) :
- : Without coating D : Trivalent chromium K : Black chromium N : Nickel R : Fluoride chromium

Treated parts :
- : Without coating (1) Rail only (2) Carriage only (3) Rail and carriage (X) By order



No. 1589, Daying Rd., Daxi Dist., Taoyuan City 335, Taiwan
Tel: +886-3-307-2000 Fax: +886-3-307-2121



© OME Technology, certified by SGS with ISO9001

Regarding the newest product and certification information, please refer to the official website.