



Gliding Surface Technology

Linear Guide Components & Systems



DRIVEN
UNI-GUIDE



LOW PROFILE
UNI-GUIDE



UNI-GUIDE



MINI-RAIL



Configure Online at
pbclinear.com

1-800-962-8979

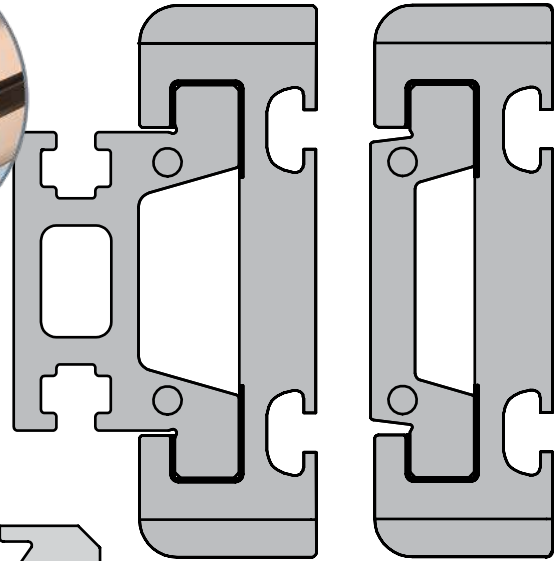
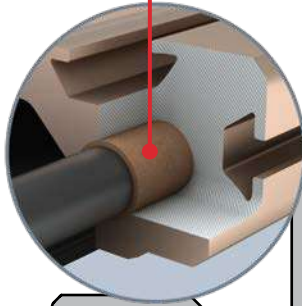
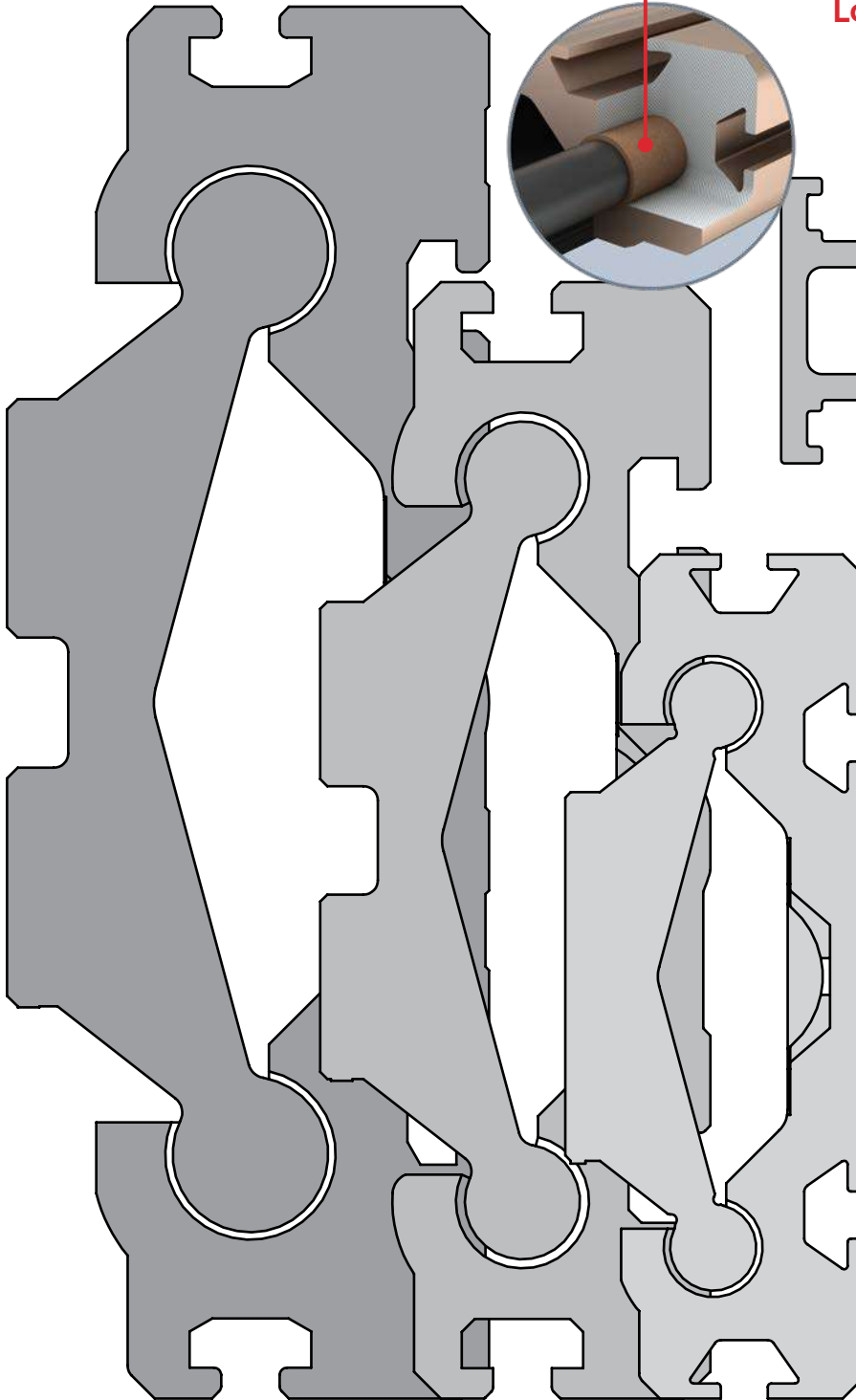
Product Comparison

Line drawings shown at 1:1 scale.

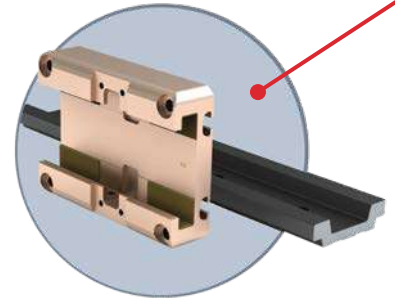
Uni-Guide™


Uni-Guide's self lubricating Frelon® liner allows it to excel in the most demanding surroundings.

Low & Tall Profile Uni-Guide™

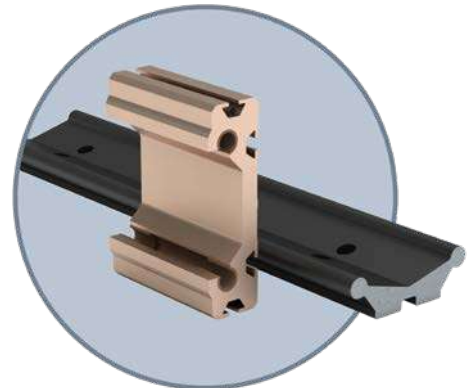


Low Profile Uni-Guide | UGA040, TallProfile Uni-Guide | UGT040



 [Link to Low Profile Uni-Guide Product Overview](#)

Two-piece assembly facilitates quick and easy integration into new or existing systems.

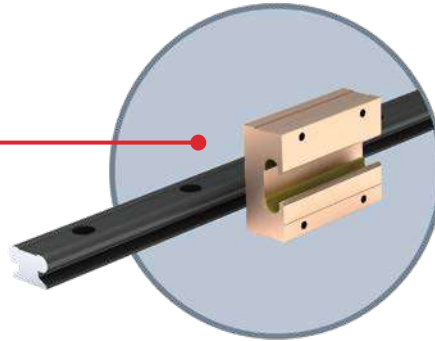


Uni-Guide | D125, D100, D075

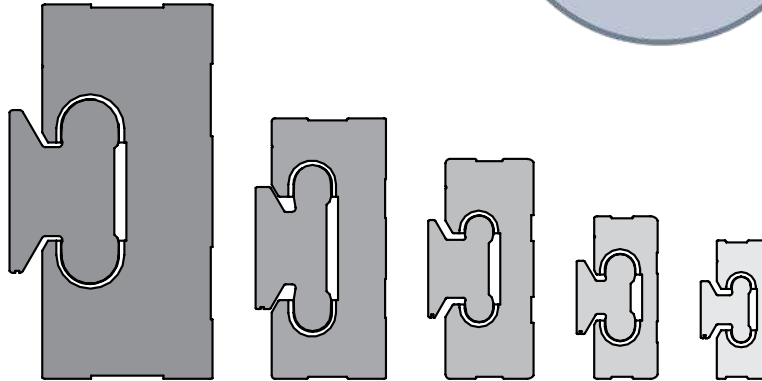
 [Link to Uni-Guide Product Overview](#)

Product Comparison

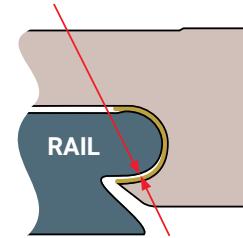
Mini-Rail



Mini-Rail features two design configurations: Precision and Compensated Precision Series. The Compensated Series includes additional clearance to tolerate misalignment.

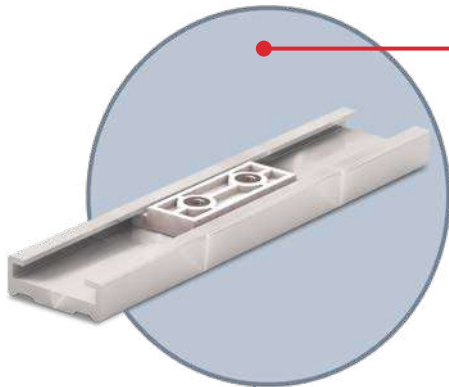


Mini-Rail | MR20, MR15, MR12, MR9, MR7



[Link to Mini-Rail Product Overview](#)

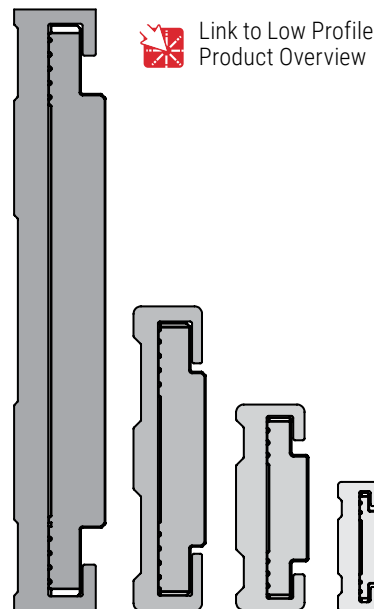
Low Profile Mini-Rail



The Low Profile Mini-Rail is a great option for small spaces with standard sizes as small as 6 mm thick.


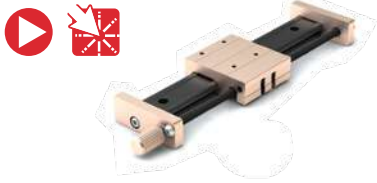

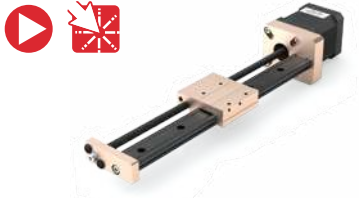


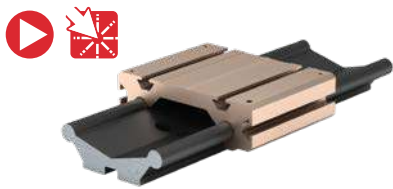
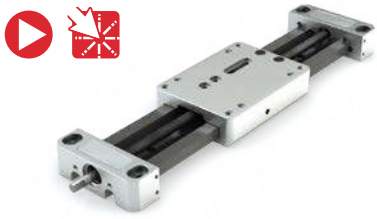







[Link to Low Profile Mini-Rail Product Overview](#)

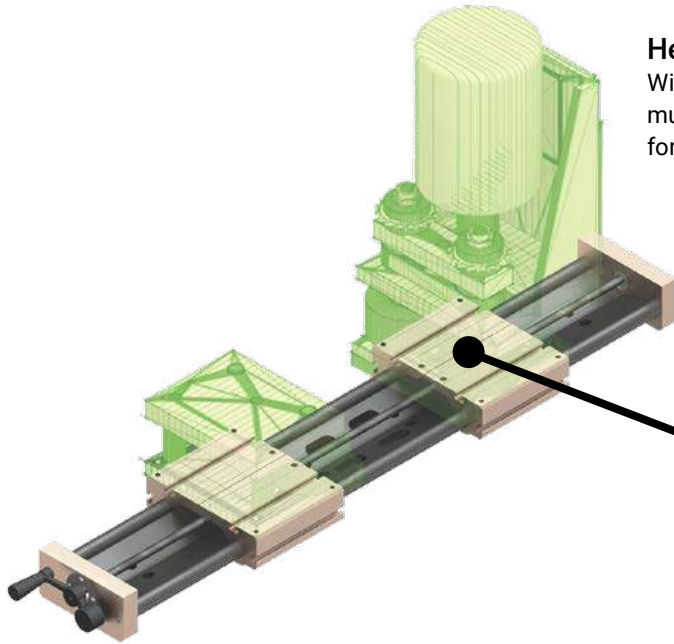


Low Profile Mini-Rail | LPM80, LPM40, LPM27, LPM17

Contents

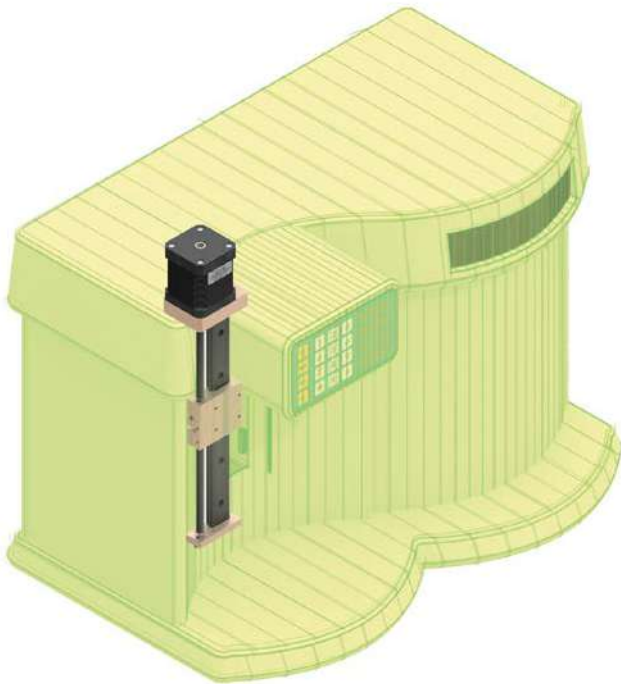
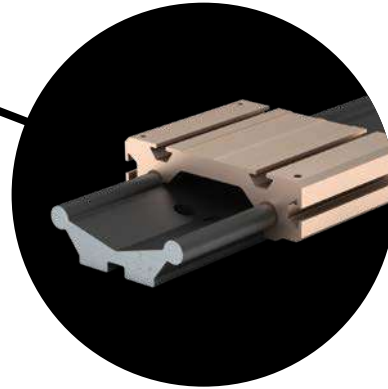
Components	Driven Systems	Applications/Technical
Mini-Rail 6 MR7 • MR9 • MR12 • MR15 • MR20 	Mini-Rail Lead Screw 20 MR15LS • MR20LS 	Applications 3–5 Frelon Material 33–35 Lubrication 36
Low Profile Mini-Rail 10 LPM17 • LPM27 • LPM40 • LPM80 	Lead Screw Driven Mini-Rail 22 MR15MS • MR20MS 	Cantilevered Loads 37–38 Chemical Reaction Information 39 Chemical Reaction Chart 40
Low and Tall Profile Uni-Guide 12 UGA040 • UGT040 	Uni-Guide - Driven 26 D075M • D100M • D125M 	Common Buttons and Links
Uni-Guide 16 D075 • D100 • D125 	SIMO Series/Low Profile Uni-Guide ... 31 UGA040D 	<p>If you are utilizing our digital GST catalog, you can click these icons throughout the publication, to get more information.</p> <p>Hyperlinks go to English language website.</p> <ul style="list-style-type: none">  Link to product information  Configure and download CAD  Consult Factory • 800-962-8979  Watch Product Video  Email an Application Engineer

Applications



Heavy Duty Vise:

With static load capacities up to 1000 lbs (453 kg) and the multiple-carriage option, Uni-Guide™ is an ideal drop-in solution for heavy duty applications.



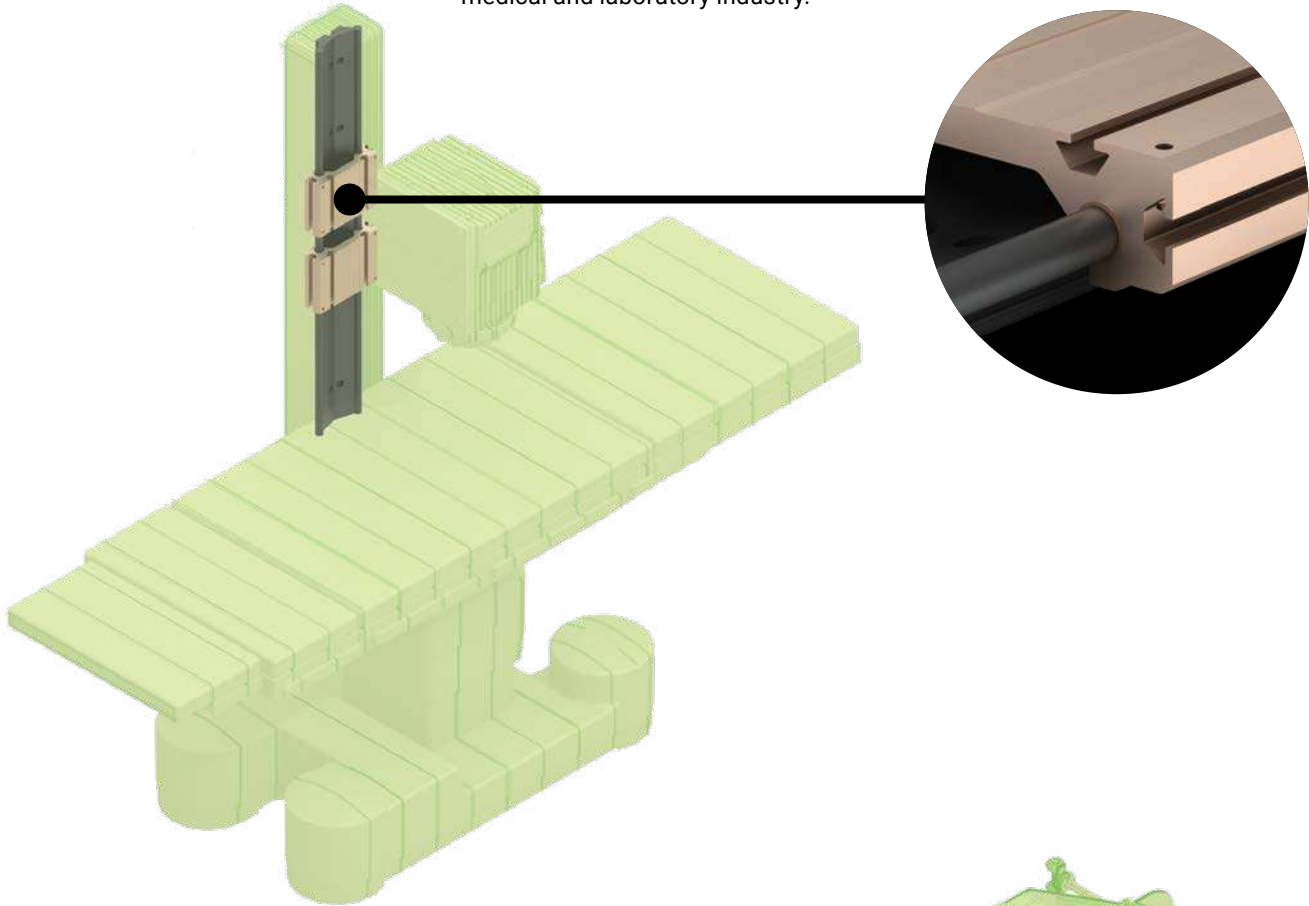
Medical and Laboratory Equipment:

The self-lubricating Frelon® bearing materials are ideal for environments where no grease or lubrication can be present.

Applications

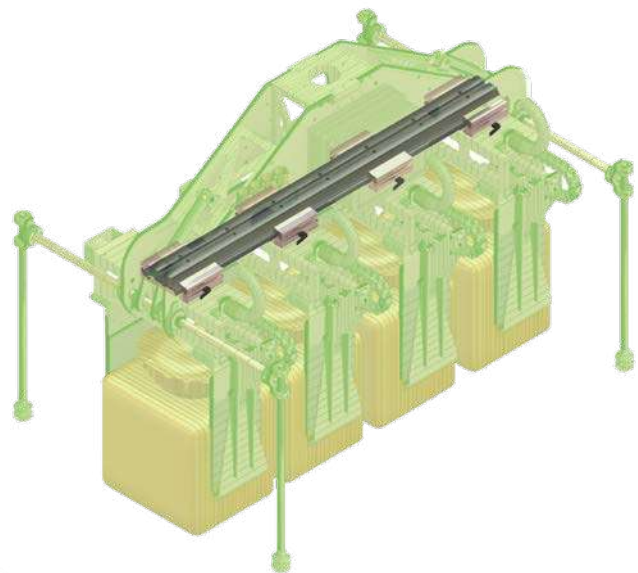
Medical and Laboratory Equipment:

Uni-Guide™ provides smooth and quiet linear motion in a simple, compact assembly that is ideal for the medical and laboratory industry.

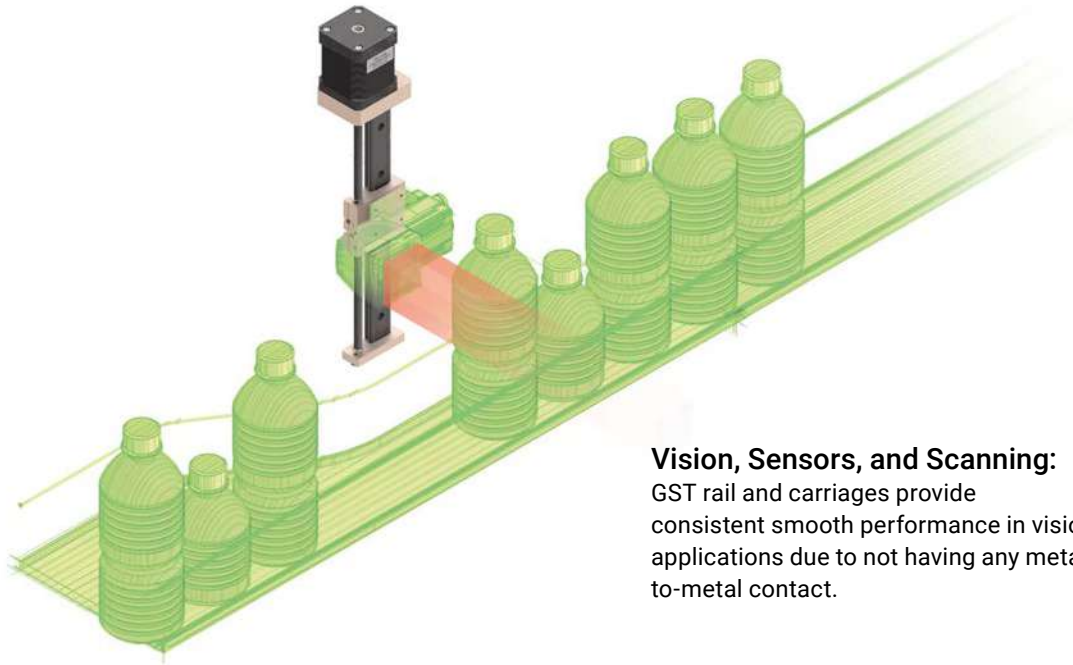


Automation and Assembly Line Gripper:

The two-piece, aluminum designed Uni-Guide, is a unique assembly that eliminates tolerance stack up and can be easily integrated into existing applications.

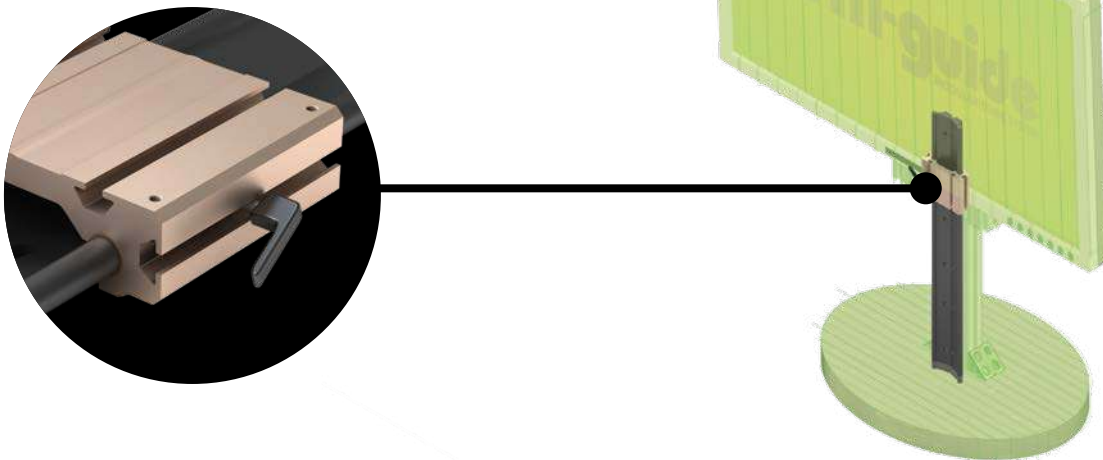


Applications



Vision, Sensors, and Scanning:
GST rail and carriages provide consistent smooth performance in vision applications due to not having any metal-to-metal contact.

Audio/Visual Display Mounts:
Uni-Guide™ provides a versatile solution for display mounts. Features such as hand cranks, hand brakes and motors are available.



PRODUCT OVERVIEW

An economical alternative to conventional miniature linear guides, Mini-Rail requires little maintenance, is dimensionally interchangeable with industry standard sizes and is maintained in stock for quick delivery.

Mini-Rail miniature linear guides are available in lengths up to 3600mm, meaning no cumbersome butt joints. These guides are precision manufactured out of lightweight aluminum alloys to ensure long life and corrosion resistance.

- Ceramic coated aluminum rail and anodized aluminum carriage
- Self-lubricating FrelonGOLD® Liner
- Compact design leaves a small footprint
- Corrosion resistance makes Mini-Rail ideal in harsh environment
- No rolling elements eliminates possibility of catastrophic failure
- Withstands vibration and shock
- Available in five sizes: 7, 9, 12, 15, and 20 mm

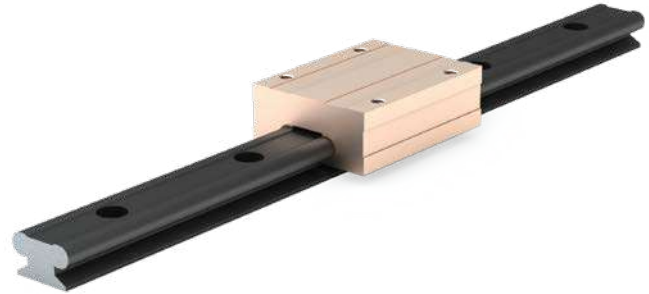
Carriage Configurations

Precision Series: Ceramic coated rails and anodized carriages are corrosion resistant. FrelonGOLD self-lubricating liner delivers the best overall performance, the highest loads, the best wear life, and speeds. Most precise running clearance for high precision applications.

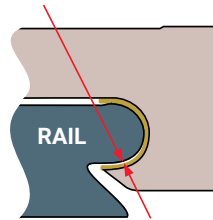
Compensated Series: Same as Precision Series except with additional clearance provided to tolerate misalignment.

Applications

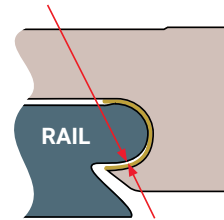
- Medical Precision
- Mobile Home Components
- Packaging
- Food Processing
- Product Movement
- Automation
- Semi-conductor
- Printing
- Electronics



Precision Series
0.025–0.051 mm
Running Clearance
(Ceramic Coated)



Compensated Series
0.064–0.089 mm
Running Clearance
(Ceramic Coated)

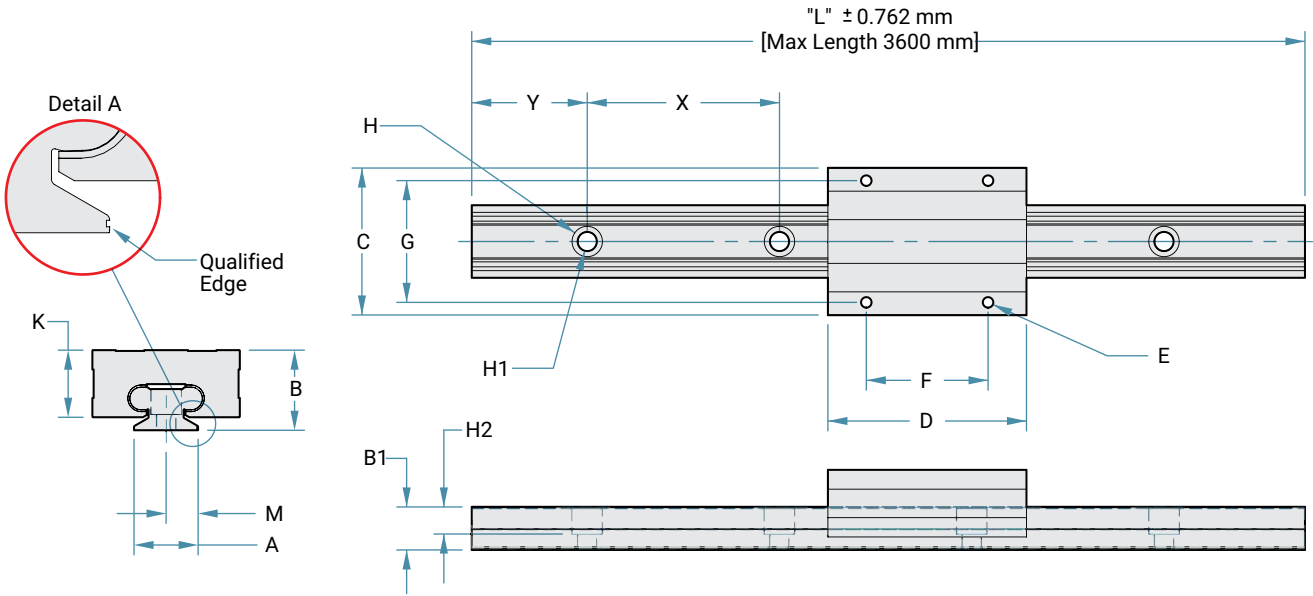


Accessories

- Hand Brake

Mini-Rail

DIMENSIONS



Maximum Length: 3600 mm

Max V: 300 sfm for FrelonGOLD (1.524 m/s)

Materials: 6061-T6 aluminum rail and carriage, FrelonGOLD®

Max P: 3000 psi for FrelonGOLD (20.68 N/mm²)

Part Number	Running Clearance	A	B	B ₁	C	D	E		F	G	H	H ₁	H ₂	K	M	y	x	Rail Wt. Gram/mm	Carriage Wt. Gram
		Base Width mm	Overall Height	Rail Height	Carriage Width	Carriage Length	Carriage Mtg. Hole Size	Carriage Mtg. Hole Depth	Carriage Mtg. Hole Ctr. to Ctr.	Rail Hole Size			Carriage Height	Rail Mtg. Hole to Qualified Edge	Rail Hole to End	Rail Hole Ctr. to Ctr.			
MR7-xxx	0.025-0.051	7	8	6.1	17	24	M2 x 0.4	THRU	8	12	4.2	2.4	2.3	6.2	3.5	5.0	15	0.10	5.7
MRC7-xxx	0.064-0.089								13	15	4.5	2.6	3	8.0	4.5	7.5	20	0.16	8.5
MR9-xxx	0.025-0.051	9	10	7.1	20	30	M3 x 0.5		15	20	6	3.5	10.7	6.0	10	25	0.22	20.0	
MRC9-xxx	0.064-0.089								20	25				4.5	14.1	7.5	15	40	0.38
MR12-xxx	0.025-0.051	12	13	8.0	27	34			M4 x 0.7	38	38	9.5	6	8.5	21.2	10	20	60	0.48
MRC12-xxx	0.064-0.089																		
MR15-xxx	0.025-0.051	15	16	9.2	32	42													
MRC15-xxx	0.064-0.089																		
MR20-xxx	0.025-0.051	20	25	13.4	46	62													
MRC20-xxx	0.064-0.089																		

Note: Cut-to-length rails are available up to 3600 mm.

Standard and cut-to-length rail ends are NOT coated. Fully coated rails are available upon request for high volume quantity requirements.

All carriage mounting holes are through tapped except MR20 12.5mm of thread.

The "Y" dimension will remain constant at one end unless requested otherwise.

Add the overall length of the rail to the part number (EX: "MR12-0220" for a Precision Series assembly with a 220mm rail).

Static Load Data

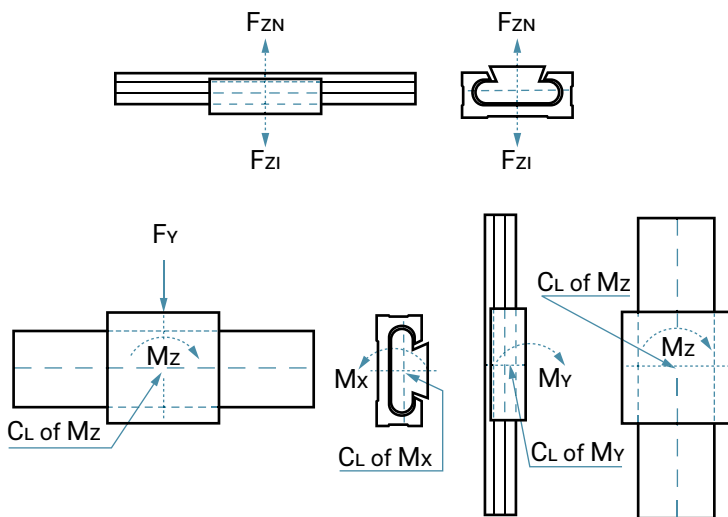
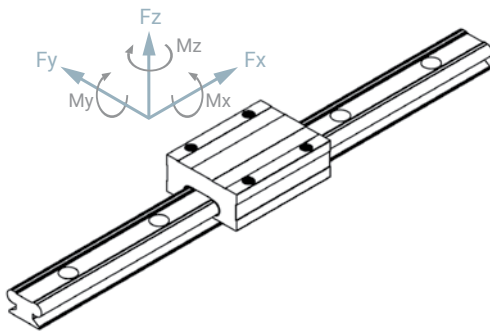
The numbers below are for rails in a static condition. Refer to the calculations below to establish dynamic parameters.

Size	F _{ZN} N	F _{ZI} N	F _V N	M _x N-m	M _y N-m	M _z N-m
7	445	89	133	1.8	1.8	2.3
9	667	125	222	3.2	3.2	5.0
12	1334	222	400	5.6	5.6	9.0
15	2224	356	667	9.0	9.0	15.1
20	3559	578	1112	14.7	14.7	24.9

Load/Moment Conversion

$$N = 4.45 \times (\text{lbs.})$$

$$N\text{-m} = 0.113 \times (\text{in.-lbs.})$$



Performance Ratings for Linear Motion

Plain bearings are rated by their limiting PV, which is a combination of load over a given surface area and the velocity.

Bearing Material	MAX. PV	MAX. P	MAX. V No Lubrication
Frelon GOLD®	20,000 (psi x ft./min.) or 0.7 N/mm ² x m/s	3000 psi or 20.68 N/mm ²	300 sfm or 1.524 m/s

PV = The performance measurement of plain bearings.

PV = P x V, where P = pressure (load) in psi (kgf/cm²)

V = velocity (speed) in sfm (m/min.)

PV Example: Load = 85 psi

Speed = 180 ft./min.

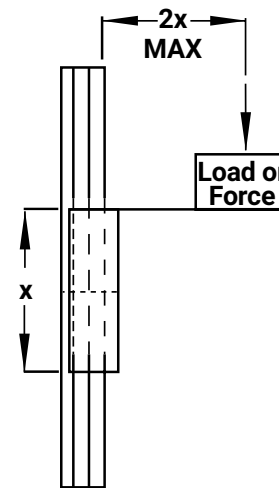
PV = 85 x 180 = 15,300 PV

Note: All three parameters must be met by an application for the bearing to perform properly.

Note: FrelonGOLD® bearing material coefficient of friction is 0.125.

Cantilevered Loads

Binding of the carriage will occur if the 2:1 ratio for cantilevered loads and drive forces is exceeded. This principle is not load or force dependent. It is a product of the coefficient of frictions associated with plain bearings. Contact factory or website for additional information.



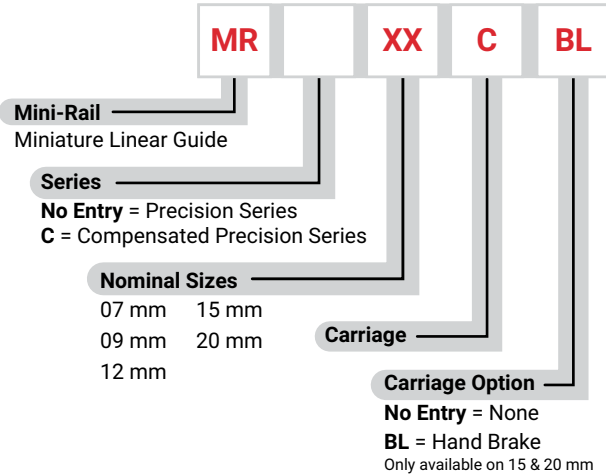
Mini-Rail

Ordering information



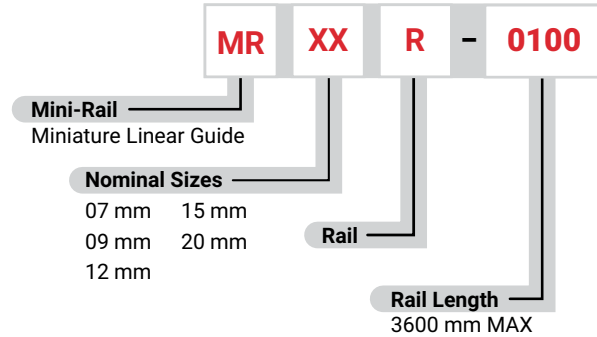
Configure
Online

CARRIAGE



Example: MRC20C

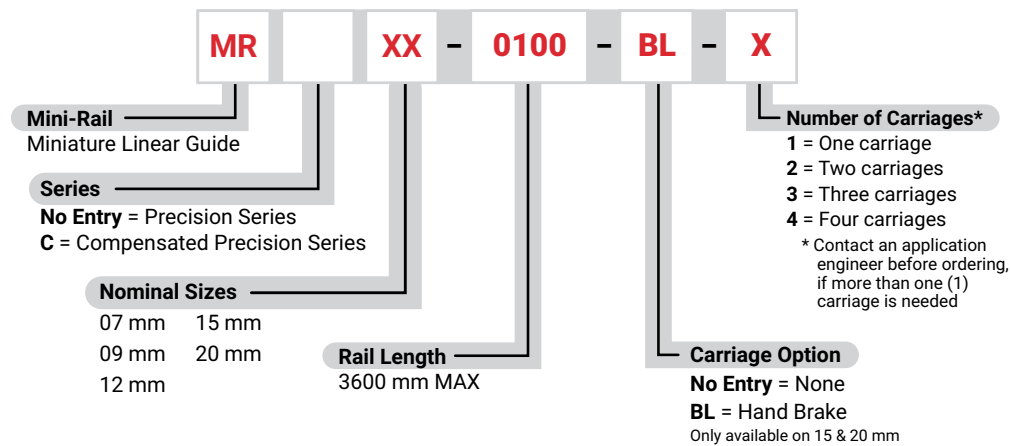
RAIL



Example: MR20R

Note: Mini-Rail carriages are matched to the rails at the time of the order. Adding carriages at a later date may result in an unsatisfactory fit between carriage and rail.

CARRIAGE & RAIL ASSEMBLY



Example: MR15-1500-BL-1

MINI-RAIL

LP MINI-RAIL

LP UNI-GUIDE

UNI-GUIDE

MINI-RAIL

UNI-GUIDE

LP UNI-GUIDE

Low Profile Mini-Rail

MINI-RAIL

PRODUCT OVERVIEW

Low Profile Mini-Rail is the perfect low cost solution for compact, low friction linear motion applications. The anodized aluminum rails offer a unit that is resistant to lubricants, fuels, dyes and weak acids. Being an industry standard interchangeable component, the LPM series is a fool-proof polymer slider.



LP MINI-RAIL

Features & Benefits

- Low cost
- Molded polymer slider with molded-in stainless steel threaded inserts
- Anodized aluminum rails
- Industry standard interchangeable
- Compact, low friction solution
- Resistant to contaminants, dyes, and weak acids
- Temperatures range: -35°C to +65°C
- Available in four sizes: 17, 27, 40, and 80 mm
- Running clearance is ≤ 0.5 mm

LP UNI-GUIDE

UNI-GUIDE

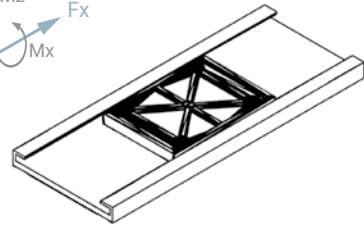
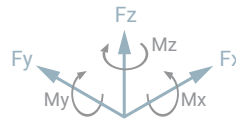
MINI-RAIL

UNI-GUIDE

LP UNI-GUIDE

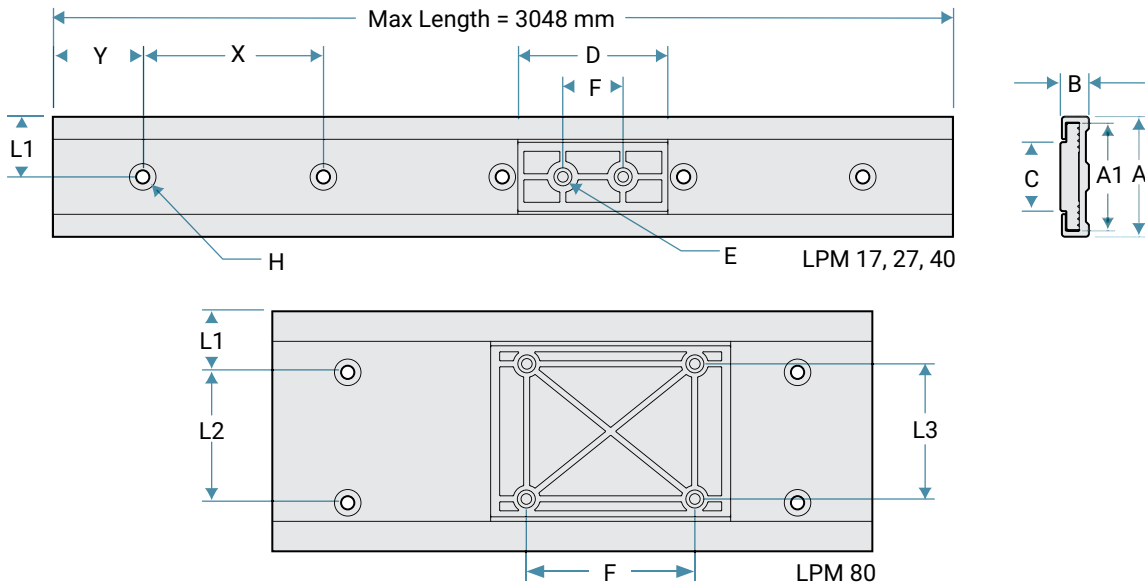
Applications

- Medical Equipment
- Packaging Precision
- Automation Industry



Low Profile Mini-Rail

DIMENSIONS



Materials: Polymer slider (UL 94 HB flammability rating)
Molded-in stainless steel thread inserts
Anodized aluminum rails

Running Clearance: Less than or equal to 0.5 mm

Maximum Velocity: 10 m/s

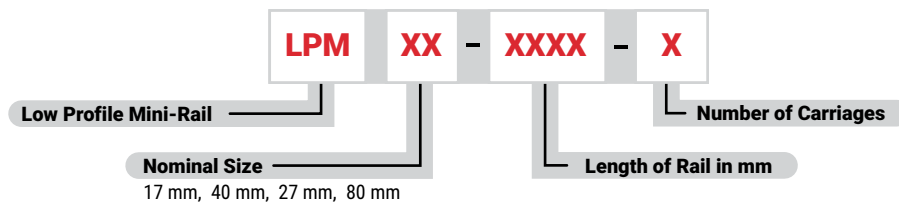
Load Reduction Factor: 0.7-1.0 for low speed application;
0.4-0.7 for medium speed application; 0.1-0.4 for high speed application

Part Number	A1 mm	A mm	B mm	C mm	D mm	E mm	F mm	H C'Bore	L1 mm	L2 mm	L3 mm	Y mm	X mm	Carriage Wt. g	Rail Unit Wt. g/mm	Load Capacity									
																Fy		Fz		Mx		My		Mz	
																N	lb.	N	lb.	N-m	lb.-in	N-m	lb.-in	N-m	lb.-in
LPM17	14.6	17	6.0	9.6	25	M3 x 0.5	14	M3 SBHCS	8.5	N/A	N/A	20	60	1.1	0.15	35	8	10	2.5	0.2	1.5	0.3	2.5	0.2	1.5
LPM27	24	27	9.5	14	40	M4 x 0.7	20	M4 SBHCS	13.5	N/A	N/A	20	60	4.8	0.33	130	30	85	20	1.0	10	2.5	20	1.0	10
LPM40	36	40	9.5	23	50	M4 x 0.7	20	M4 SBHCS	20	N/A	N/A	20	60	9.8	0.38	270	60	150	35	2.5	25	5.0	50	2.5	25
LPM80	75.2	80	12.0	57	80	M4 x 0.7	56	M4 SBHCS	20	40	45	25	150	32.3	1.07	515	120	250	55	7.0	60	14	125	7.0	60

Note: Apply a load reduction factor 0.25 on Fy rating if the system is used inverted.

Ordering information

CARRIAGE & RAIL ASSEMBLY



EXAMPLE: LPM17-1000-1

MINI-RAIL
LP MINI-RAIL
LP UNI-GUIDE
UNI-GUIDE
MINI-RAIL
UNI-GUIDE
LP UNI-GUIDE

Low & Tall Profile Uni-Guide™

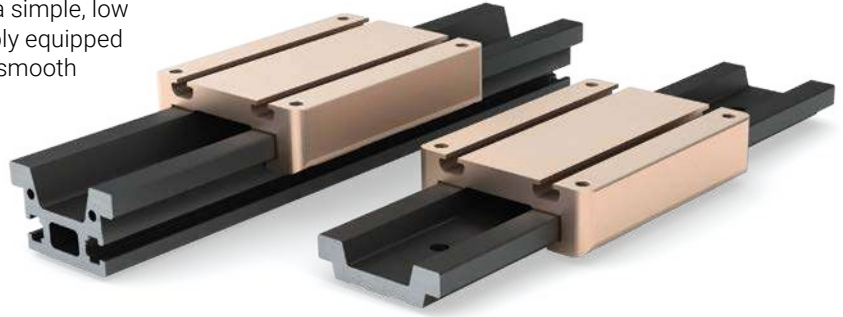
MINI-RAIL

PRODUCT OVERVIEW

The Low and Tall Profile Uni-Guides are solutions that maintain the proven advantages of the standard Uni-Guide in a simple, low cost and compact assembly. This two-piece assembly equipped with FrelonGOLD® liner creates a maintenance-free, smooth and quiet linear motion solution.

LP MINI-RAIL

The PBC Linear patented SIMO milling operation creates a precision-machined rail and carriage surface providing tight tolerances and alignment accuracy. The Low and Tall Profile Uni-Guides are available in both the precision and compensated series, allowing varying amount of running clearance to tolerate misalignment for a given application.



LP UNI-GUIDE

Features & Benefits

- Low cost
- Ceramic coated aluminum rail, standard anodized carriage with FrelonGOLD liner
- Low wear, high load capacities, and maintenance-free operation
- Two-piece assembly facilitates a quick and easy integration into new or existing systems
- No metal-to-metal contact, which eliminates catastrophic failure
- Vibration damping and shock resistant
- Ideal for contaminated environments and clean rooms - hard anodized aluminum prevents contaminants from sticking
- Angled rail design ensures optimum washdown
- Operates well in a wide temperature range
- Suitable for an extremely short stroke

UNI-GUIDE

Accessories

- Hand Brake
- Felt Wick Lubrication - You will have to add lubrication to the felt wick. If felt wick is installed in the carriage, remove carriage from rail and add lubrication. If wick is shipped separate from carriage, add lubrication to felt wick and install into carriage before operation.

Applications

- Medical equipment
- Laboratory equipment

MINI-RAIL

Carriage Configurations

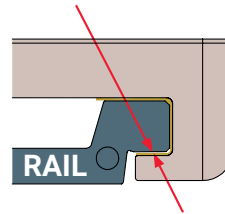
Precision Series: Ceramic coated rails and carriages are corrosion resistant. FrelonGOLD self-lubricating liner delivers the best overall performance, the highest loads, the best wear life, and speeds. Most precise running clearance for high precision applications.

Compensated Series: Same as Precision Series except with additional clearance provided to tolerate misalignment.

UNI-GUIDE

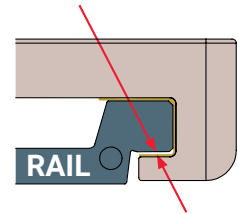
Precision Series

0.025–0.051 mm
Running Clearance
(Ceramic Coated)



Compensated Series

0.064–0.089 mm
Running Clearance
(Ceramic Coated)

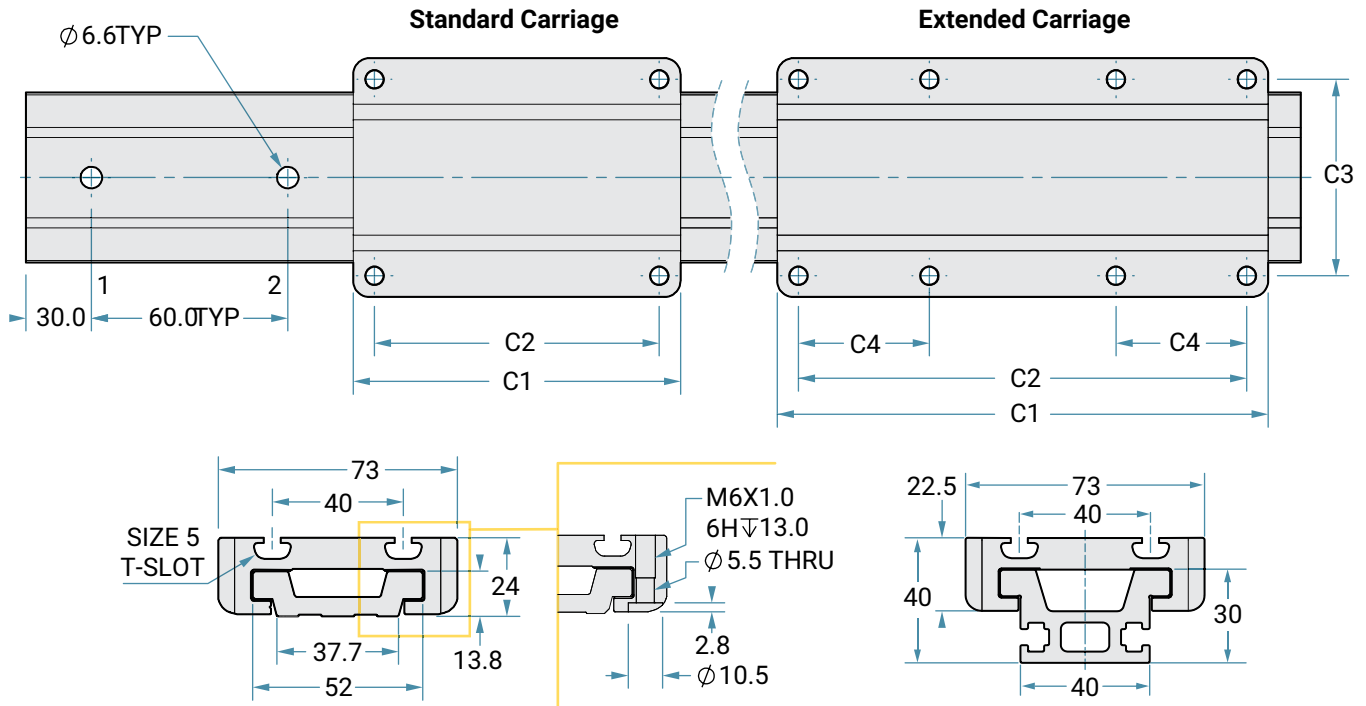


Note: Does not apply to Standard Uni-Guide products.
Plain bearings should comply with the 2:1 ratio rule.

LP UNI-GUIDE

Low & Tall Profile Uni-Guide™

DIMENSIONS



Notes: 1 - Default end to first hole is 30 mm
 2 - 60 mm hole spacing provided for higher moment capacity.
 For low moment applications, every other hole may be used.

Dimensional Data

Carriage Part#	Standard Carriage mm				lb (kg)
	C1	C2	C3	C4	
UGA040C-0x1xxx	100	87	60	N/A	0.504 (0.23)
Extended Carriage					
UGA040C-1x1xxx	150	137	60	40	0.750 (0.34)
UGA040C-2x1xxx	200	187	60	60	1.014 (0.46)

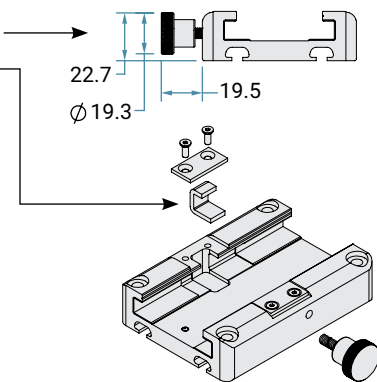
1 N=0.2248 lbf 1 N-m = 0.7376 ft.-lb

T-Nut Info

Part No.	Part No. • Size
UGA and UGT	6100443 • M5 x 0.8

Accessories

- Hand Brake
- Felt Wick*



***Warning:** Felt wick is shipped without lubrication and requires the customer to add lubrication prior to operation of the carriage and rail. See page 31 for recommended lubrications.

Static Loads data

The numbers below are for guides only in a static condition. The drive mechanism selected (lead screw, ball screw, cylinder, etc.) becomes the limiting factor when calculating maximum load and speed capacities. The user is responsible for determining the maximum capacity for the complete system based on the manufacturer's data for their drive configuration.

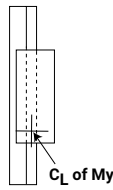
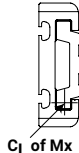
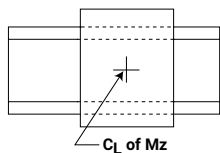
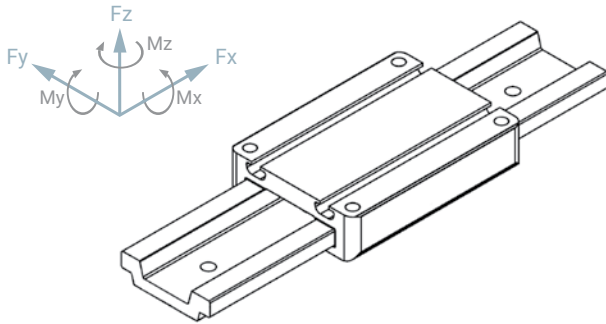
Size	Fz MAX Load lb.	Fz MAX Load N	Fz Inverted MAX Load lb.	Fz Inverted MAX Load N
UGA040C-0x1xxx	1,843	8,200	607	2,700
UGA040C-1x1xxx	1,483	6,600	607	2,700
UGA040C-2x1xxx	1,101	4,900	607	2,700

Size	Fy lb	Mx in/lb	My in/lb	Mz in/lb	Fy N	Mx Nm	My Nm	Mz Nm
UGA040C-0x1xxx	1,101	1,062	1,505	1,505	4,900	120	170	170
UGA040C-1x1xxx	1,281	1,062	2,567	2,567	5,700	120	290	290
UGA040C-2x1xxx	1,371	1,062	2,567	2,567	6,100	120	290	290

Load/Moment Conversion

$$N = 4.45 \times (\text{lbs.})$$

$$N\text{-m} = 0.113 \times (\text{in.-lbs.})$$



Performance Ratings for Linear Motion

Plain bearings are rated by their limiting PV, which is a combination of load over a given surface area and the velocity.

Bearing Material	MAX. PV	MAX. P	MAX. V No Lubrication
FrelonGOLD®	20,000 (psi x ft./min.) or 0.7 N/mm ² x m/s	3000 psi or 20.68 N/mm ²	300 sfm or 1.524 m/s

PV = The performance measurement of plain bearings.

PV = P x V, where P = pressure (load) in psi (kgf/cm²)

V = velocity (speed) in sfm (m/min.)

PV Example: Load = 85 psi

Speed = 180 ft./min.

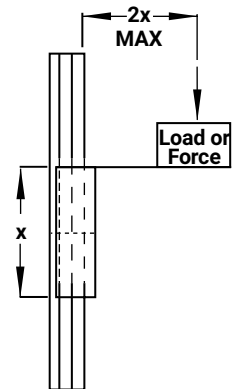
PV = 85 x 180 = 15,300 PV

Note: All three parameters must be met by an application for the bearing to perform properly.

Note: FrelonGOLD® bearing material coefficient of friction is 0.125.

Cantilevered Loads

Binding of the carriage will occur if the 2:1 ratio for cantilevered loads and drive forces is exceeded. This principle is not load or force dependent. It is a product of the coefficient of frictions associated with plain bearings. Contact factory or website for additional information.



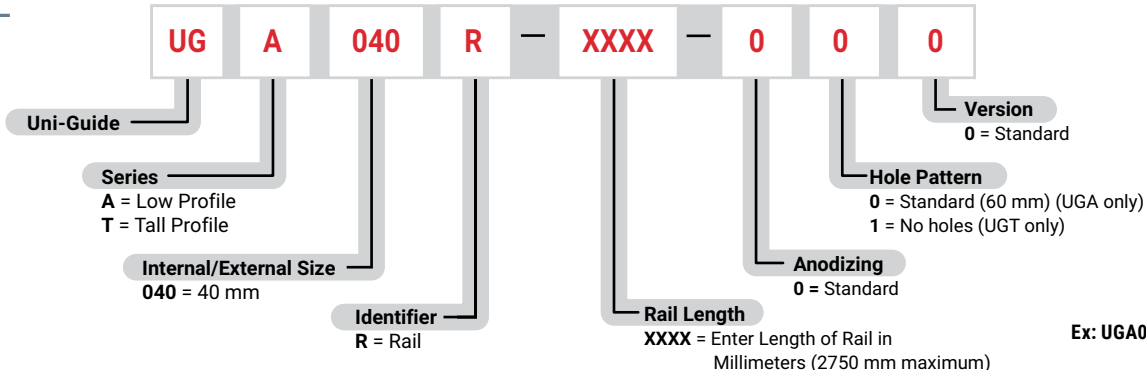
Low & Tall Profile Uni-Guide™



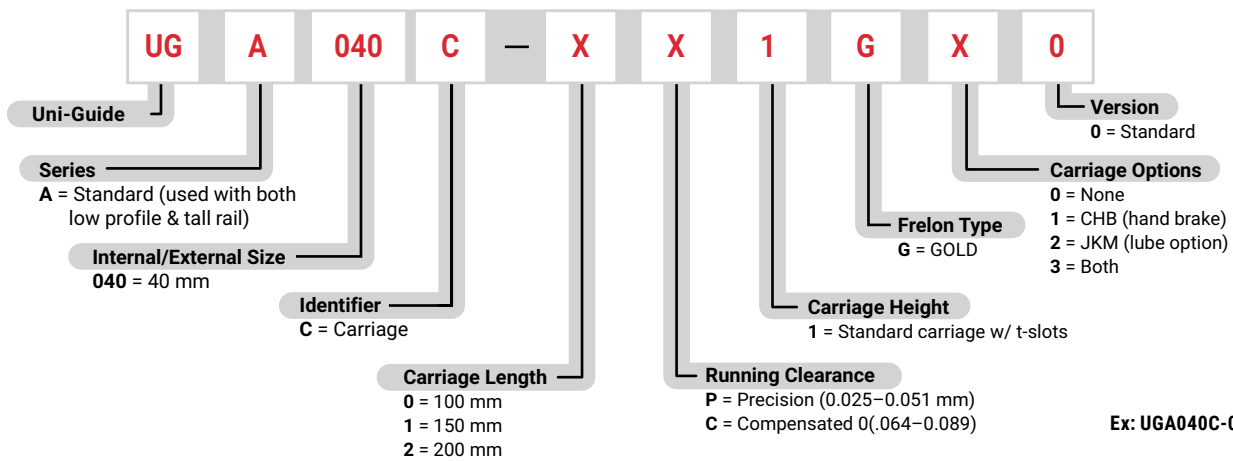
Configure Online

Ordering information

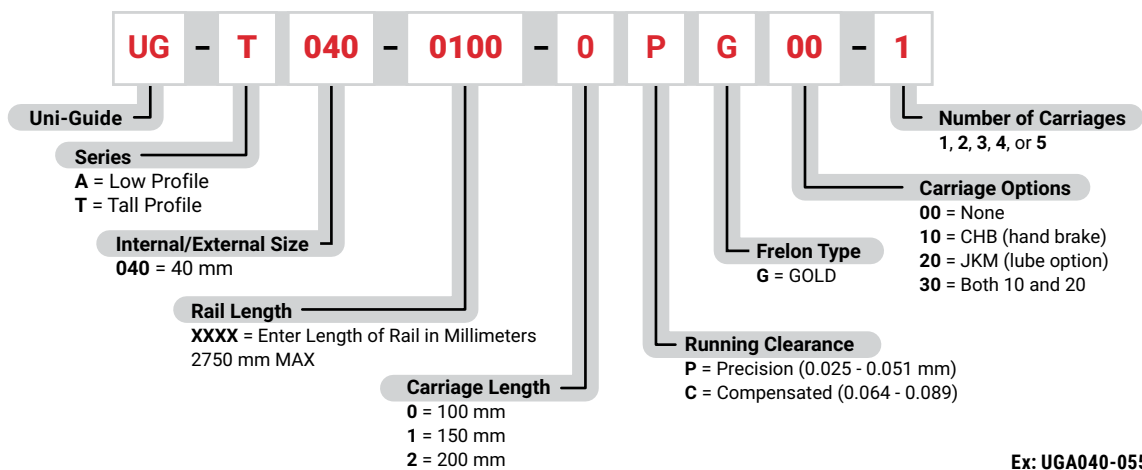
RAIL



CARRIAGE



CARRIAGE & RAIL ASSEMBLY



- Note:**
- 1 - Specify Y dimension (hole to end) at time of order. Default end to first hole is 30 mm.
 - 2 - 60 mm hole spacing provided for higher moment capacity. For low moment applications, every other hole may be used.
 - 3 - FrelonGOLD® must be paired with standard anodized rail.
 - 4 - "None" carriage option is ready to accept both CHB and JKM options for after market addition.
 - 5 - JKM option is a felt wick without lubrication and requires the customer to add lubrication prior to operation. See page 31 for recommended lubrications.



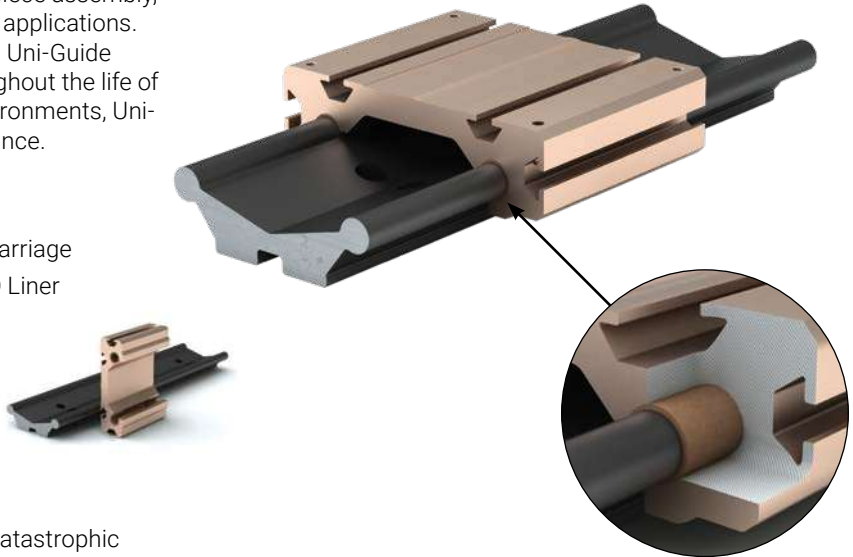
Link to driven version of Low Profil Uni-Guide

PRODUCT OVERVIEW

Uni-Guide reduces bulky part count with its two-piece assembly, simplifying integration into both new and existing applications. Accompanied by PBC Linear's FrelonGOLD® liner, Uni-Guide facilitates smooth, maintenance-free travel throughout the life of the system. Designed to thrive in challenging environments, Uni-Guide offers best-in-class linear motion performance.

Features & Benefits

- Ceramic coated, aluminum rail and anodized carriage
- Self-lubricating, maintenance-free FrelonGOLD Liner
- The two-piece assembly makes for a quick and easy integration while also eliminating the need for alignment in both new and existing applications
- Excels in demanding extremes including temperature, heavy particulates, wash-down and extreme vibration
- No rolling elements, eliminating possibility of catastrophic failure
- Easy drop-in unit – no alignment necessary
- Slide sizes ranging from 75, 100, and 125 mm
- Continuous lengths up to 10 feet (3,048 m)
- Standard cut-to-length rails and carriage assemblies

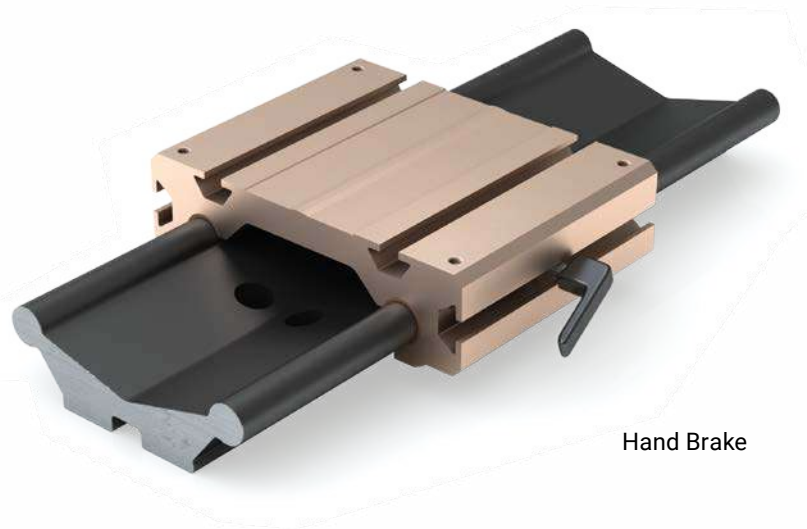


Accessories

- Hand brake
- Hand crank
- NEMA 17, 23, and 34 motor mount (driven systems)

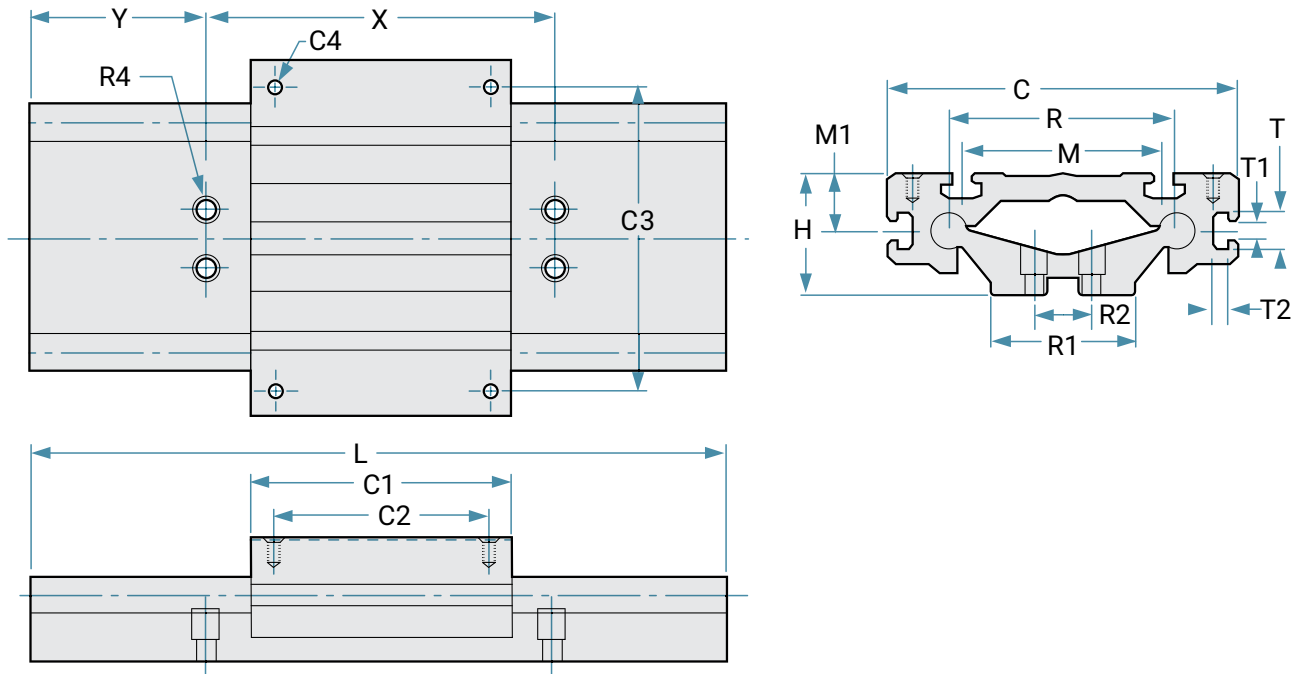
Applications

- Automation & assembly line gripper
- Medical & laboratory equipment
- Heavy duty vise
- Audio/visual display mounts



Hand Brake

DIMENSIONS



Standard Inch Series With No Drive Mechanism Inches

Part Number	R	R1	R2	X	R4 Bolt Size	Y	H	C	C1 Standard	C2 Standard	C1 Extended	C2 Extended	C3	C4 Bolt Size	M	M1	I Max-feet
D075	2.95	2.0	0.75	4	1/4	2	1.625	4.6	3.5	3.00	4.5	4.00	4.00	10-32	2.60	0.819	10
D100	3.94	2.6	1.00	6	5/16	3	2.125	6.1	4.5	3.75	6.0	5.25	5.25	1/4-20	3.50	1.020	
D125	4.92	3.3	1.25		3/8	3	2.625	7.6	6.0	5.25	7.5	6.75	6.75	5/16-18	4.33	1.300	

Carriage Types

Part No.	Drill	Depth	Tap	Depth
D075-xxx	0.159	0.534	10-32	0.440
D100-xxx	0.201		1/4-20	0.500
D125-xxx	0.257	0.750	5/16-18	0.625

T-Slot Information Inches

Part No.	T	T1	T2	Part No. • Size
D075-xxx	0.590	0.256	0.236	6100435 • M6 x 1.0
D100-xxx	0.661	0.319	0.268	6100436 • M8 x 1.25
D125-xxx				

Rail Φ Approximate

D075	0.470 = 12 mm
D100	0.630 = 16 mm
D125	0.820 = 22 mm

Rail Straightness

±.002"/ft

Weight

Part No.	Rail Per Inch lb.	Standard Carriage lb.	Extended Carriage lb.
D075-xxx	0.19	0.98	1.26
D100-xxx	0.32	2.12	2.82
D125-xxx	0.48	4.56	5.70

Static Loads - Standard Uni-Guide

The numbers below are for guides only in a static condition. The drive mechanism selected (lead screw, ball screw, cylinder, etc.) becomes the limiting factor when calculating maximum load and speed capacities. The user is responsible for determining the maximum capacity for the complete system based on the manufacturer's data for their drive configuration.

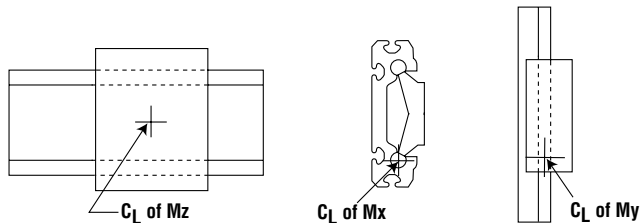
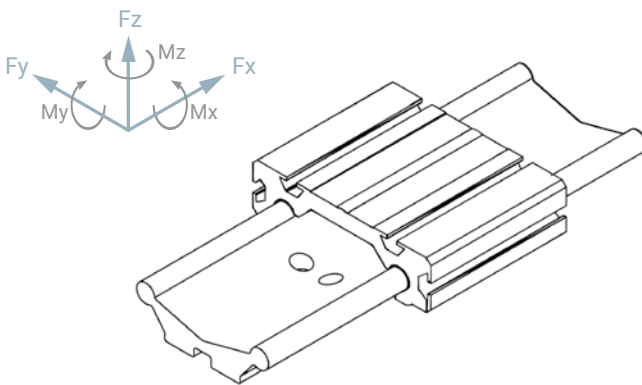
Size	Fz MAX Load lb	Fz MAX Load N	Fz Inverted MAX Load lb	Fz Inverted MAX Load N
D075	500	2224	125	556
D100	750	3336	190	845
D125	1000	4448	250	1112

Size	Fy lb	Mx in./lb	My in./lb	Mz in./lb	Fy N	Mx Nm	My Nm	Mz Nm
D075	250	340	340	350	1,112	38	38	40
D100	375	650	650	730	1,668	73	73	82
D125	500	1,200	1,200	1,225	2,224	136	136	138

Load/Moment Conversion

$$N = 4.45 \times (\text{lb.})$$

$$N\text{-m} = 0.113 \times (\text{in.-lb.})$$



Performance Ratings for Linear Motion

Plain bearings are rated by their limiting PV, which is a combination of load over a given surface area and the velocity.

Bearing Material	MAX. PV	MAX. P	MAX. V No Lubrication
FrelonGOLD®	20,000 (psi x ft./min.) or 0.7 N/mm ² x m/s	3000 psi or 20.68 N/mm ²	300 sfm or 1.524 m/s

PV = The performance measurement of plain bearings.

PV = P x V, where P = pressure (load) in psi (kgf/cm²)

V = velocity (speed) in sfm (m/min.)

PV Example: Load = 85 psi

Speed = 180 ft./min.

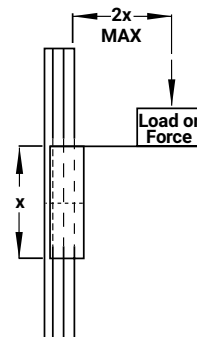
PV = 85 x 180 = 15,300 PV

Note: All three parameters must be met by an application for the bearing to perform properly.

Note: FrelonGOLD® bearing material coefficient of friction is 0.125.

Cantilevered Loads

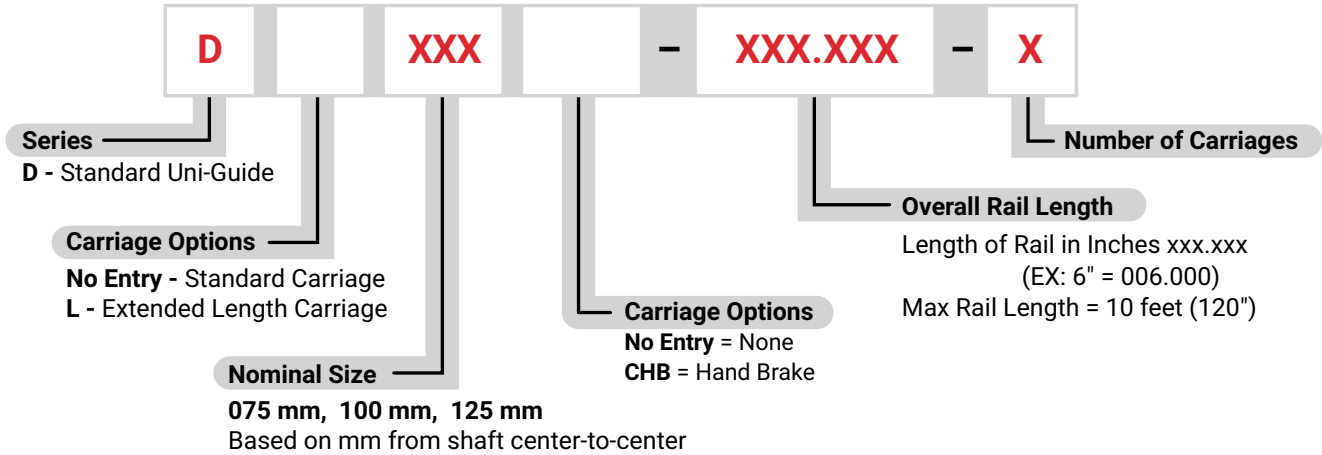
Binding of the carriage will occur if the 2:1 ratio for cantilevered loads and drive forces is exceeded. This principle is not load or force dependent. It is a product of the coefficient of frictions associated with plain bearings. Contact factory or website for additional information.



Ordering Information



CARRIAGE & RAIL ASSEMBLY



Note: Specify Y-dimension (hole to end) at time of order.

MINI-RAIL

LP MINI-RAIL

LP UNI-GUIDE

UNI-GUIDE

MINI-RAIL

UNI-GUIDE

LP UNI-GUIDE

PRODUCT OVERVIEW

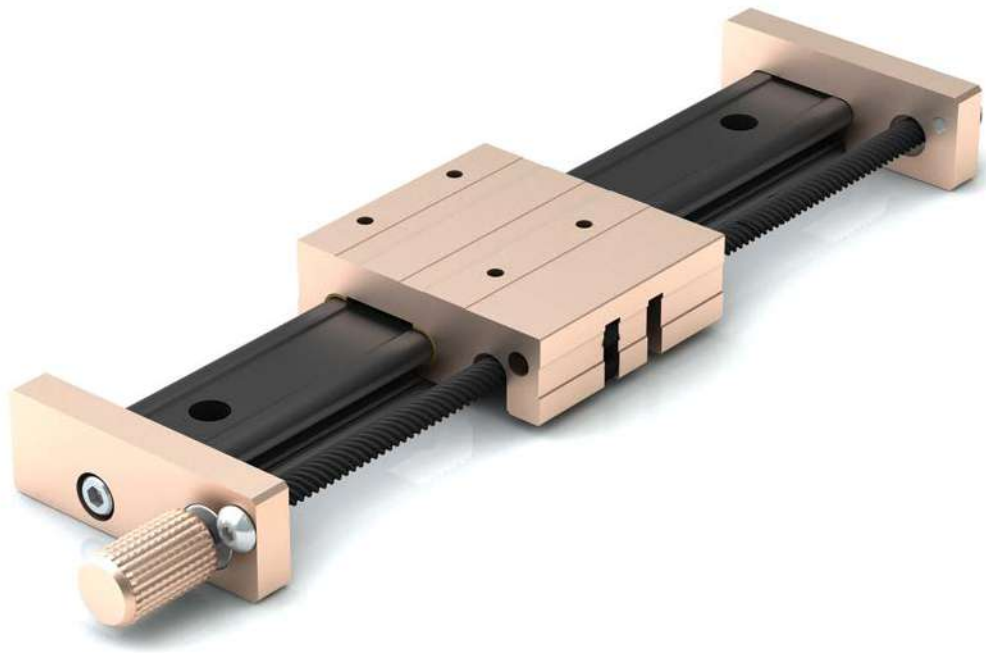
The lead screw driven Mini-Rail (MR-LS) system maintains all of the great features and benefits of Mini-Rail. The system is a fully interchangeable and economical solution to industry standard linear guides, and contains no rolling elements which avoids catastrophic failure.

Features & Benefits

- Right hand rolled thread
- 304 stainless steel screw with PTFE coating
- Self-lubricating Polyacetal, anti-backlash nut
- Lengths up to 640 mm
- Eight (8) leads available

Accessories

- NEMA 17 motor mount kit
- Hand brake
- Knob



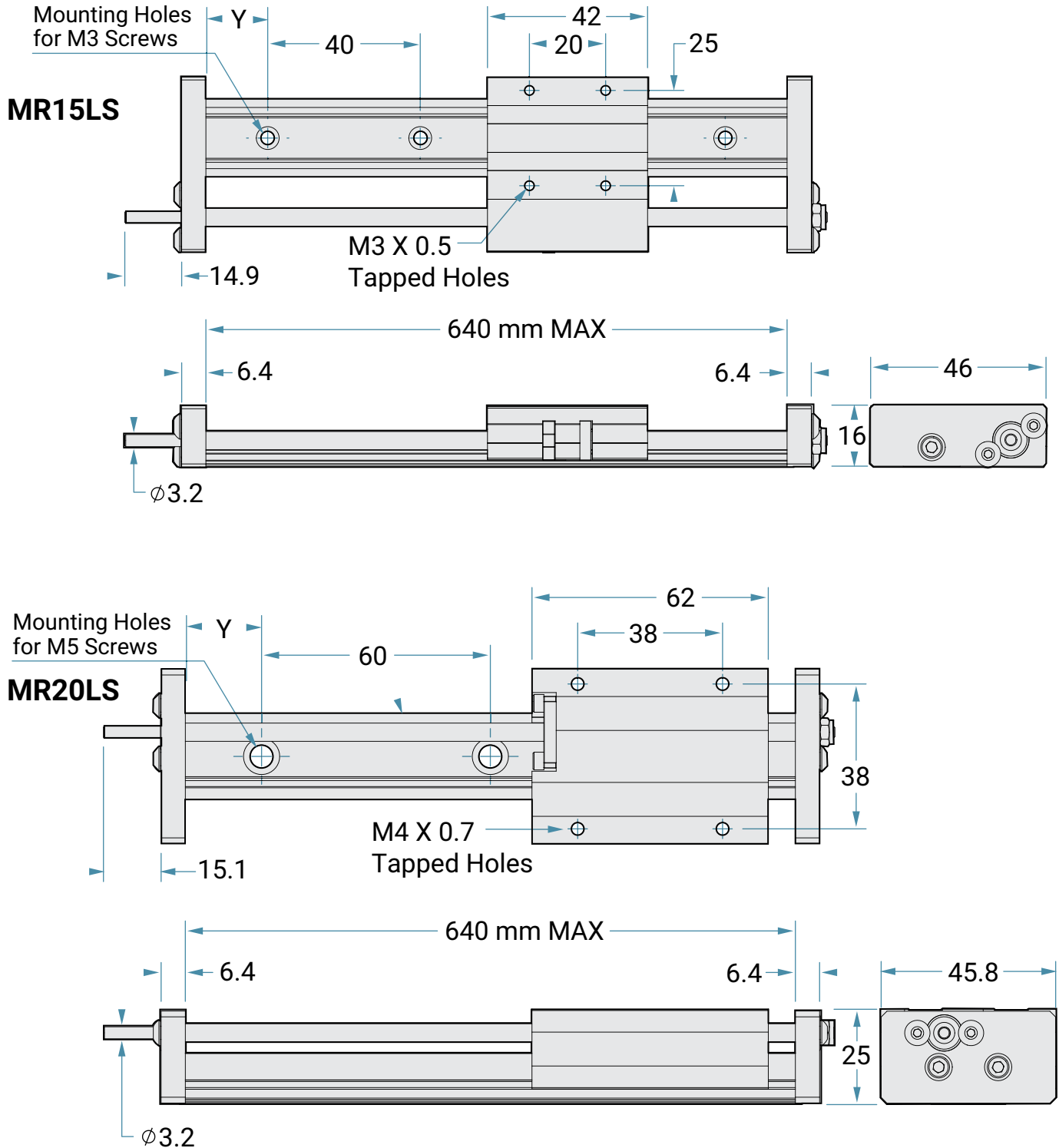
[Link to Mini-Rail Lead Options](#)



[Email an Application Engineer](#)

Mini-Rail

DIMENSIONS



Note: Maximum length for lead screw driven MR is 640 mm

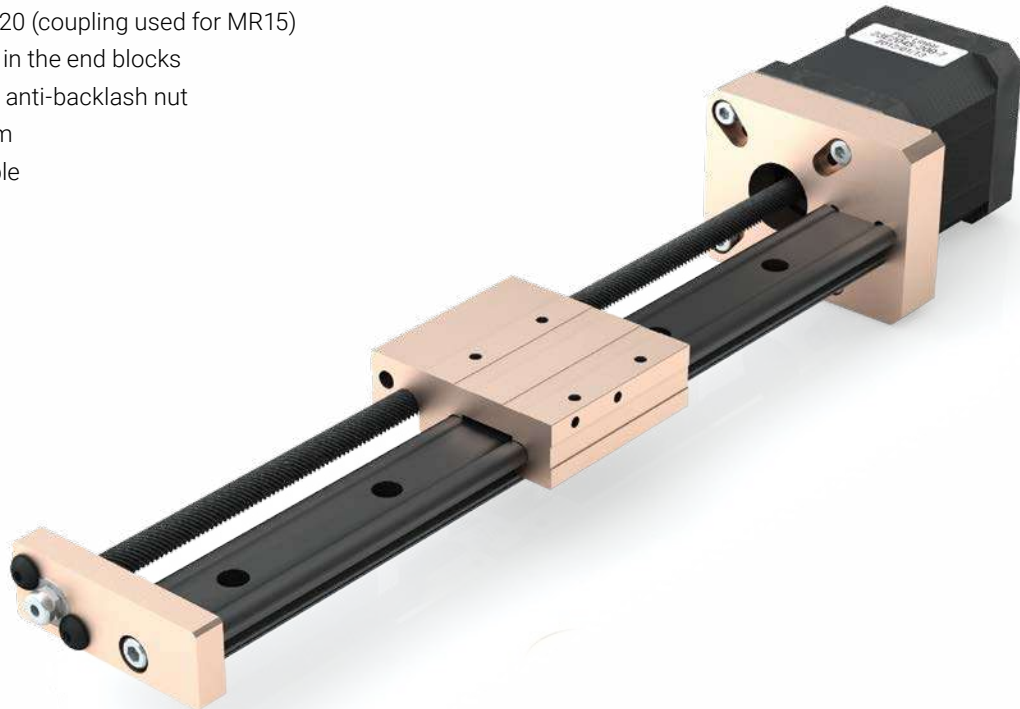
Note: Specify Y dimension (First Hole Offset - FH0) at time of order

PRODUCT OVERVIEW

The Lead Screw Driven Mini-Rail with the attached motor brings another great feature forward in linear motion. Also equipped with all the great features of Mini-Rail, this low cost option is equipped with a high torque stepper motor (NEMA 17).

Features & Benefits

- Low cost
- High torque single stack stepper motor 42 mm (NEMA 17)
- Robust design - outstanding reliability
- 304 stainless steel screw with PTFE coating
- Fewer parts - less maintenance
- Integral screw for MR20 (coupling used for MR15)
- Ball bearing supports in the end blocks
- Preloaded Polyacetal, anti-backlash nut
- Lengths up to 640 mm
- Eight (8) leads available



[Link to Mini-Rail Lead Options](#)

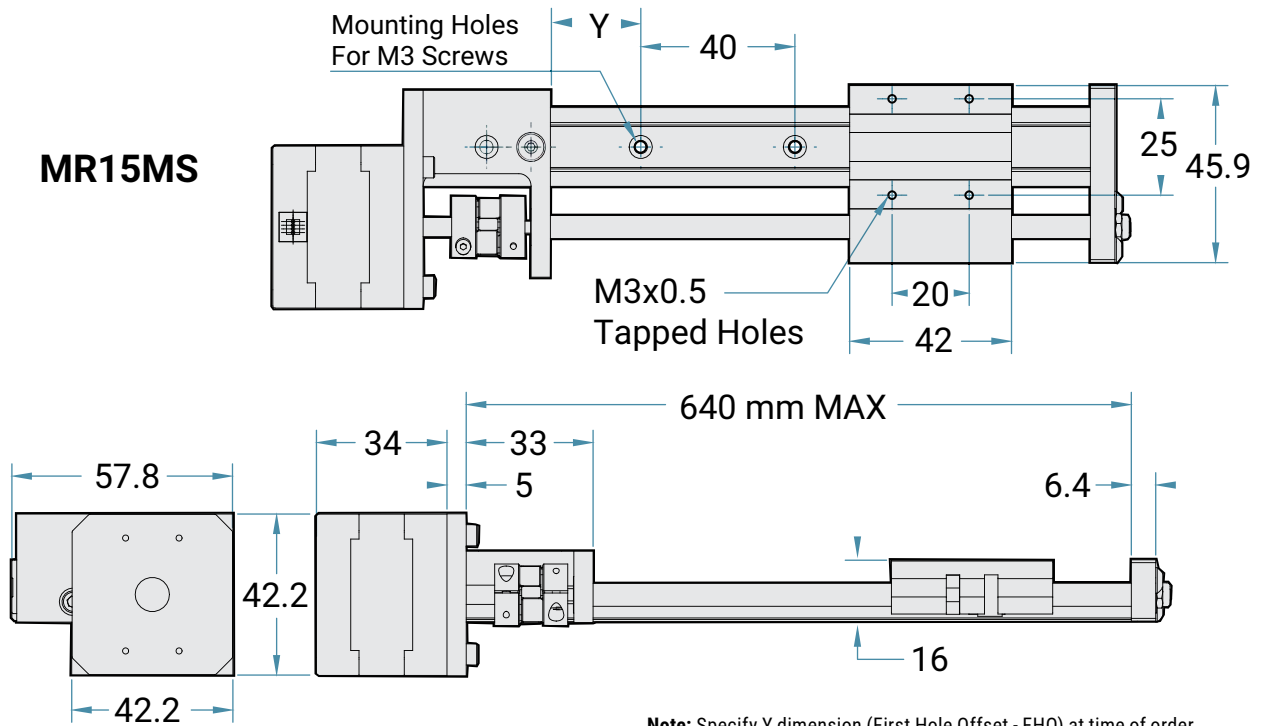


[Email an Application Engineer](#)

Mini-Rail

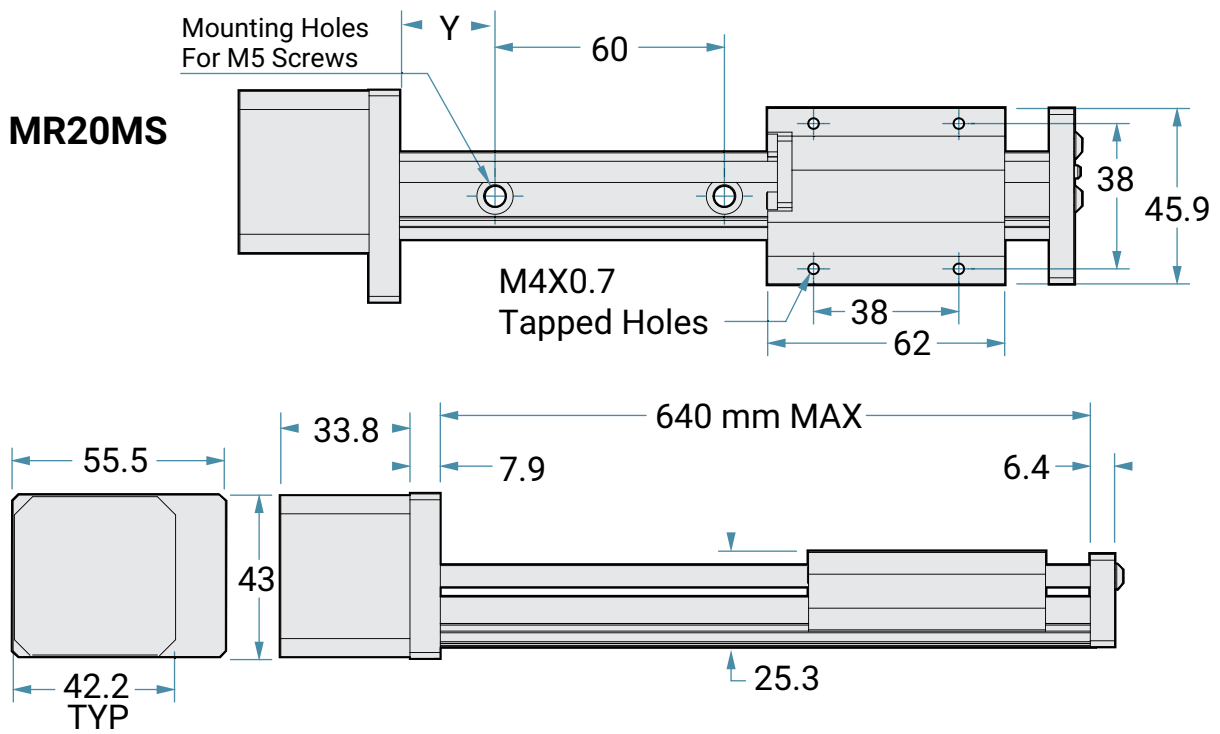
DIMENSIONS

MR15MS



Note: Specify Y dimension (First Hole Offset - FHO) at time of order

MR20MS



Note: Maximum length for lead screw driven MR is 640 mm
Specify Y dimension (First Hole Offset - FHO) at time of order

MINI-RAIL

LP MINI-RAIL

LP UNI-GUIDE

UNI-GUIDE

MINI-RAIL

UNI-GUIDE

LP UNI-GUIDE



Configure Online

MINI-RAIL

LP MINI-RAIL

LP UNI-GUIDE

UNI-GUIDE

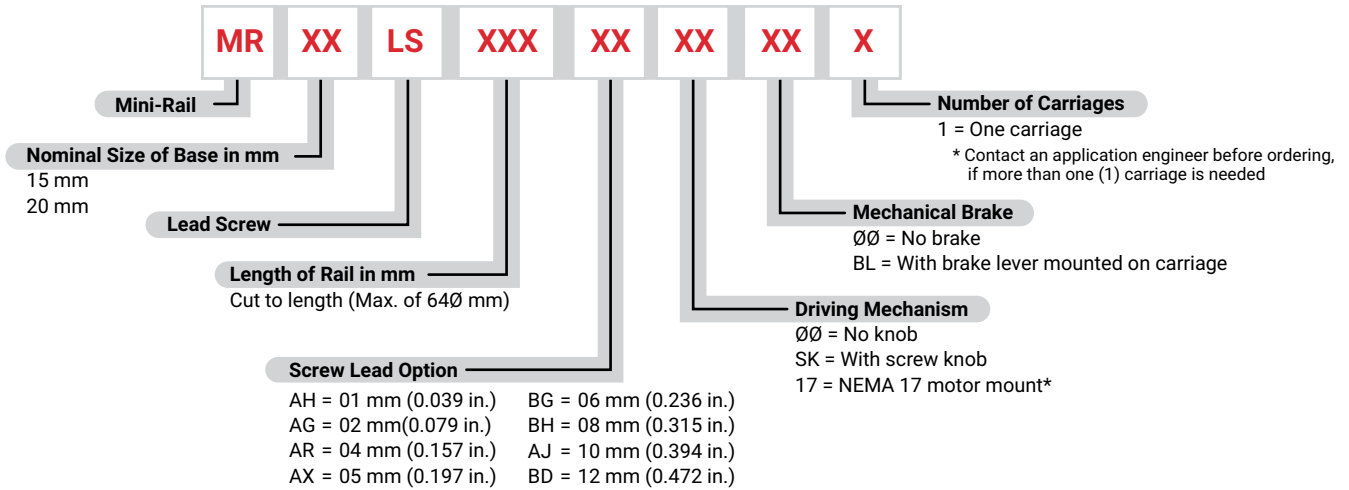
MINI-RAIL

UNI-GUIDE

LP UNI-GUIDE

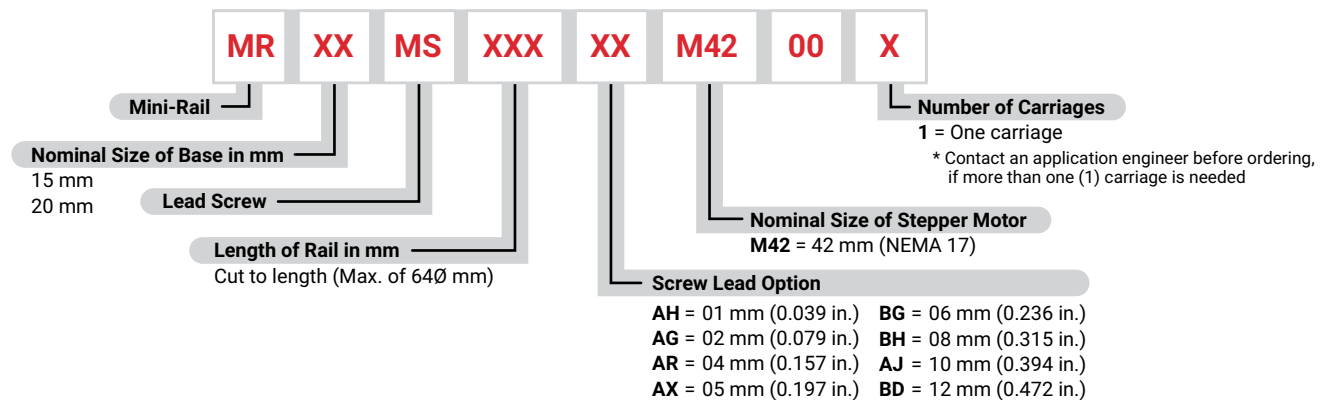
Ordering information

LEAD SCREW DRIVEN



Note: Coupling not included; PBC Linear Recommends R+W EKL2 Coupling or equivalent. Actuator requires 3.18 mm (0.125") bore

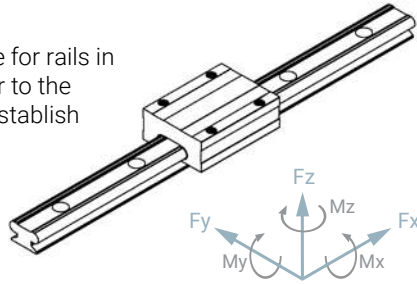
LEAD SCREW DRIVEN WITH MOTOR



Mini-Rail

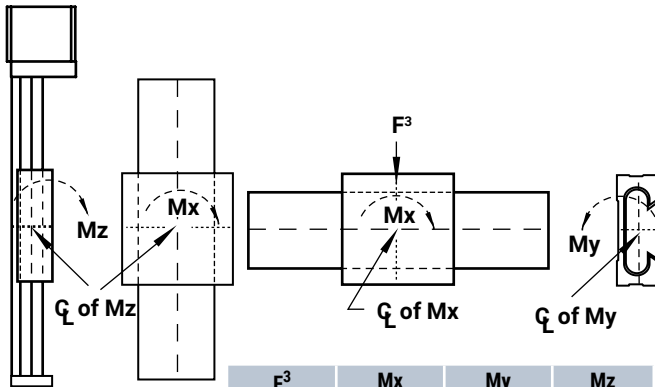
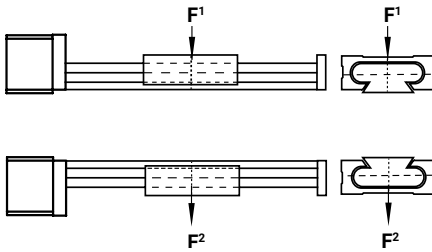
Static Load Data

The numbers below are for rails in a static condition. Refer to the calculations below to establish dynamic parameters.



F ¹ N	
Size 15	Size 20
3114	6005

F ² N	
Size 15	Size 20
356	578



F ³ N	M _x N-m	M _y N-m	M _z N-m
1112	24.9	14.7	14.7

Performance Ratings for Linear Motion

Plain bearings are rated by their limiting PV, which is a combination of load over a given surface area and the velocity.

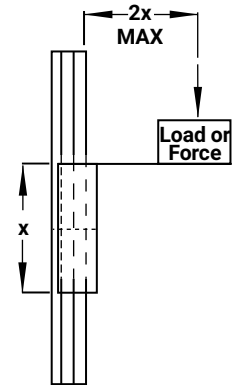
Bearing Material	MAX. PV	MAX. P	MAX. V No Lubrication
FrelonGOLD®	20,000 (psi x ft./min.) or 0.7 N/mm ² x m/s	3000 psi or 20.68 N/mm ²	300 sfm or 1.524 m/s

PV = The performance measurement of plain bearings
PV = P x V where P = pressure (load) in psi (kgf/cm²)
V = velocity (speed) in sfm (m/min.)

Note: All three parameters must be met by an application for the bearing to perform properly.

Cantilevered Loads

Binding of the carriage will occur if the 2:1 ratio for cantilevered loads and drive forces is exceeded. This principle is not load or force dependent. It is a product of the coefficient of frictions associated with plain bearings. Contact factory or website for additional information.



Load/Moment Conversion

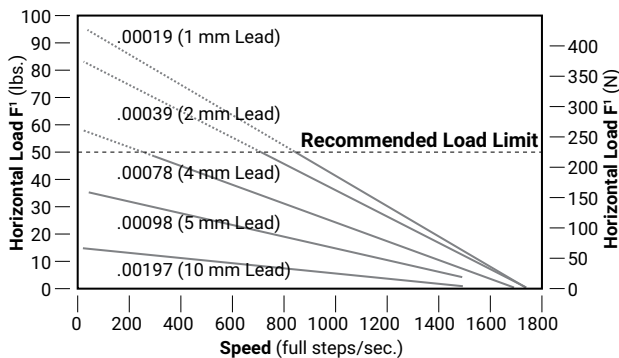
$$N = 4.45 \times (\text{lb.})$$

$$N\text{-m} = 0.113 \times (\text{in-lb.})$$

Lead	Lead Code	Linear Travel per Step	
		mm	Inch
1 mm	AH	0.005	0.000197
2 mm	AG	0.010	0.000394
4 mm	AR	0.020	0.000787
5 mm	AX	0.025	0.000984
6 mm	BG	0.030	0.001181
8 mm	BH	0.040	0.001575
10 mm	AJ	0.050	0.001969
12 mm	BD	0.060	0.002362

Note: 1.8° = 200 steps per revolution

Size 17 stepper motor with 6 mm (0.236") screw



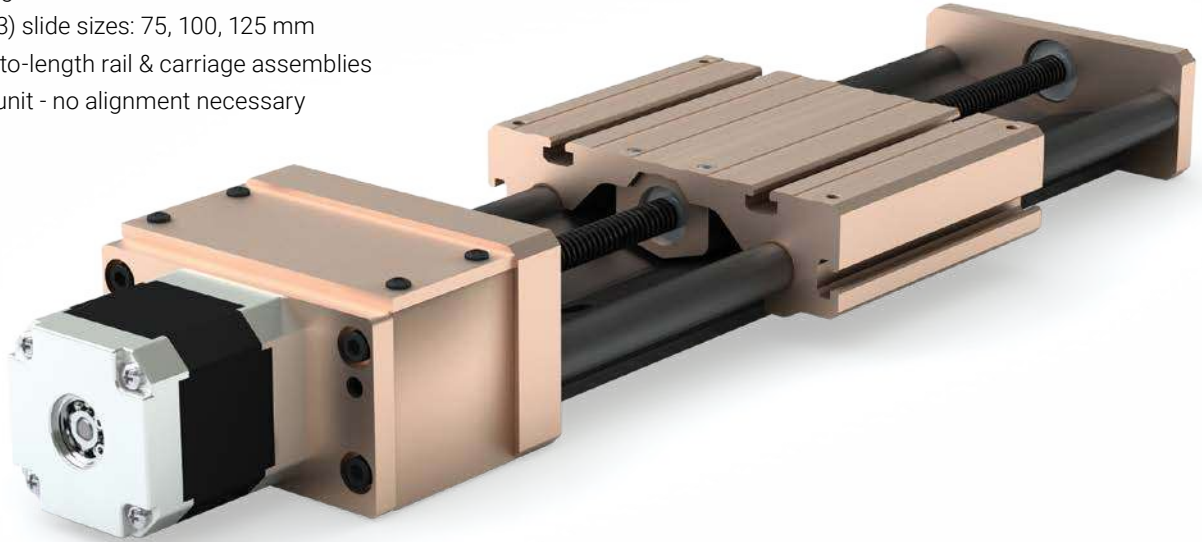
MINI-RAIL
LP MINI-RAIL
LP UNI-GUIDE
UNI-GUIDE
MINI-RAIL
UNI-GUIDE
LP UNI-GUIDE

PRODUCT OVERVIEW

The Uni-Guide driven system offers all the same best-in-class linear motion performance advantages as the standard Uni-Guide. The reduced part count will continue to simplify assembly and integration, and will facilitate smooth, maintenance-free travel throughout the life of the system.

Features & Benefits

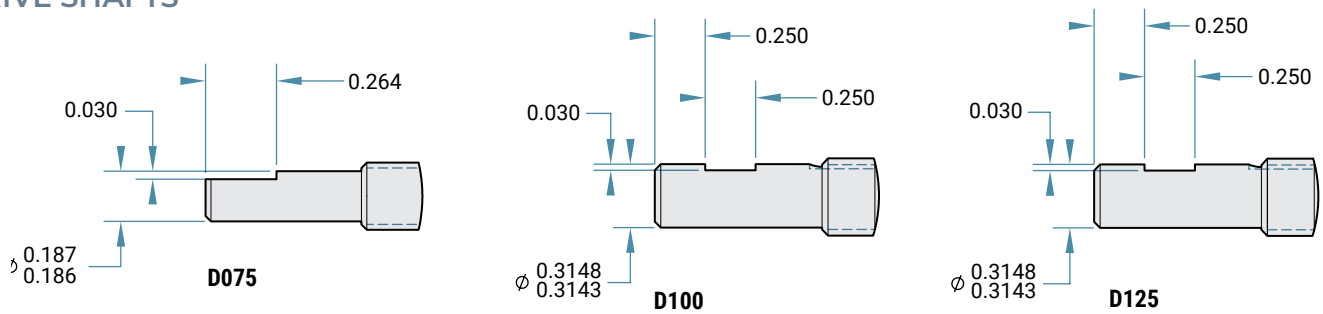
- Thrives in the most challenging environments
- Self lubricating FrelonGOLD® liner
- Offers three (3) slide sizes: 75, 100, 125 mm
- Standard cut-to-length rail & carriage assemblies
- Easy drop-in unit - no alignment necessary



Accessories

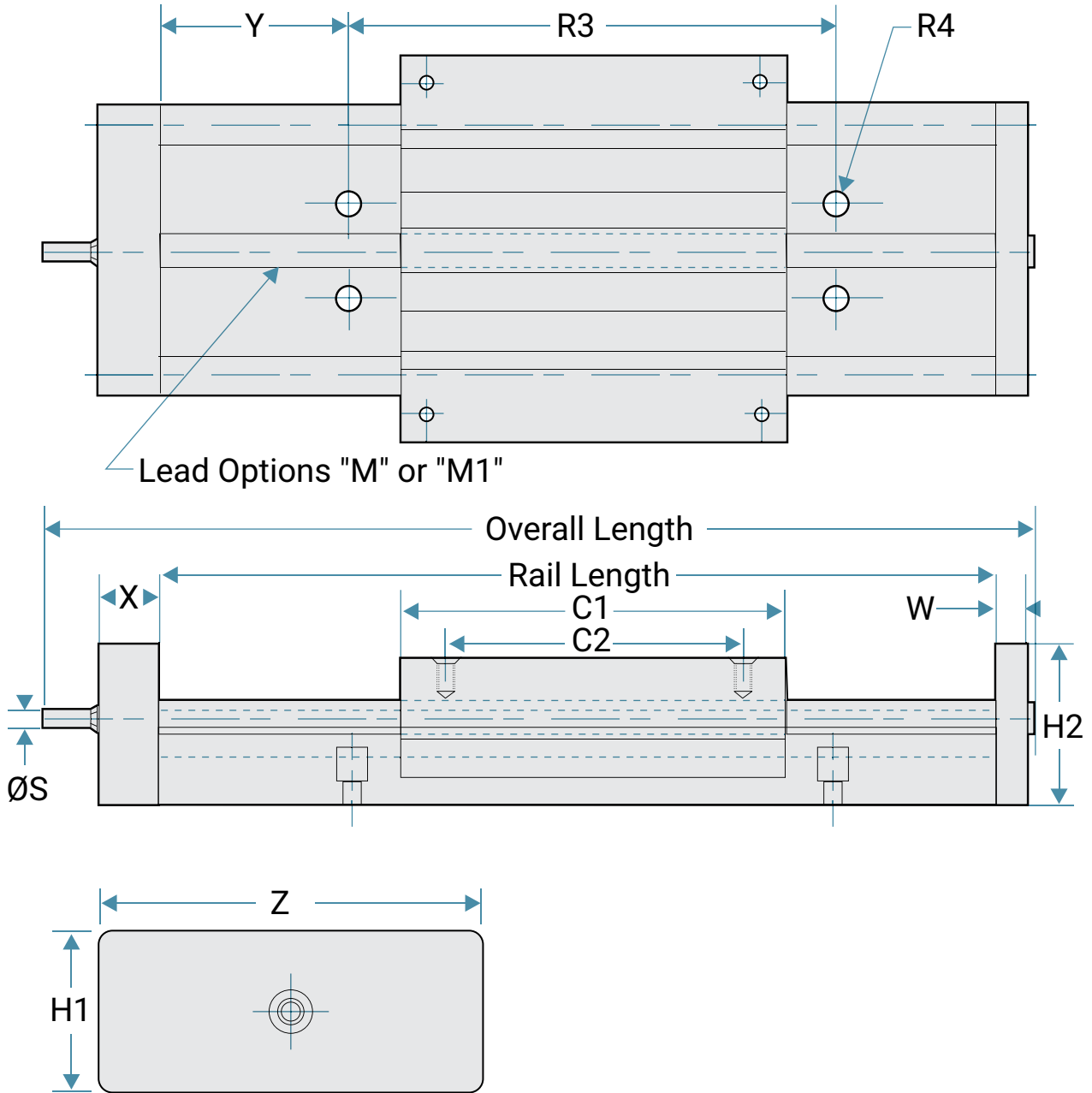
- NEMA 17, 23 and 34 motor mount kit
- Hand brake (components)
- Hand crank (components)

DRIVE SHAFTS



Uni-Guide™

DIMENSIONS



Note: Specify Y dimension (First Hole Offset - FHO) at time of order

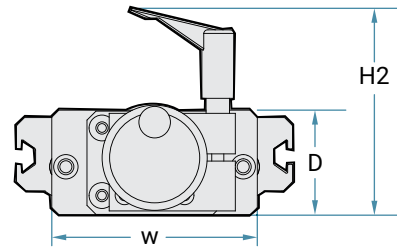
Dimensional Data

Part No.	Nominal Screw Dia.	M Standard Lead	M1 Optional Lead	C1 Standard	C2 Standard	C1 Extended	C2 Extended	C3	S in	Y in	R3 in	R4 in	W in	X in	Z in	H1 in	H2 in
D075	10 mm	6 mm	12 mm	3.5	3.00	4.5	4.00	4.00	0.187	2	4	1/4	0.375	0.625	3.42	1.75	1.625
D100	12 mm	6 mm	12 mm	4.5	3.75	6.0	5.25	5.25	0.314	3	6	5/16	0.500	0.625	3.42	1.75	1.625
D125	16 mm	5 mm	12 mm	6.0	5.25	7.5	6.75	6.75	0.314	3	6	3/8	0.500	1.000	5.78	3.5	2.500

Note: Optional leads may be available - consult factory. Specify Y dimension (hole to end) at time of order.
Stroke = Rail Length - Carriage Length - Overtravel Idle End - Over Travel Drive End.

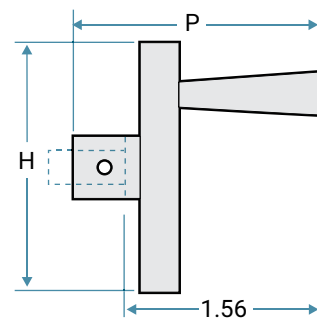
Hand Brake Inches

Part No.	W	D	H2
D075HB	3.42	1.74	3.4
D100HB	4.57	2.50	4.3
D125HB	5.79	3.47	4.7



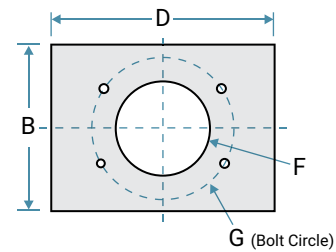
Hand Crank

Part No.	P	H
D075XH	2.31	1.75
D100XH	2.31	2.25
D125XH	2.31	3.25



Motor Mount Attachment

Part No.	NEMA Motor	B	E	D
D075XN	NEMA 17	2.0	1.81	3.25
D100XN	NEMA 23	2.5	1.81	3.25
D125XN	NEMA 34	3.5	2.3	4.25



Static Load Data

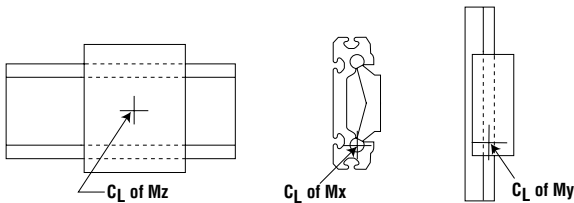
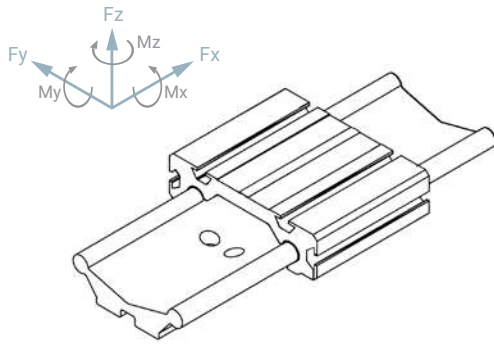
The numbers below are for guides only in a static condition. The drive mechanism selected (lead screw, ball screw, cylinder, etc.) becomes the limiting factor when calculating maximum load and speed capacities. The user is responsible for determining the maximum capacity for the complete system based on the manufacturer's data for their drive configuration.

Size	Fz MAX Load lbs	Fz MAX Load N	Fz Inverted MAX Load lbs	Fz Inverted MAX Load N
D075	500	2224	125	556
D100	750	3336	190	845
D125	1000	4448	250	1112

Load/Moment Conversion

$$N = 4.45 \times (\text{lbs.})$$

$$N\text{-m} = 0.113 \times (\text{in.-lbs.})$$



Performance Ratings for Linear Motion

Plain bearings are rated by their limiting PV, which is a combination of load over a given surface area and the velocity.

Bearing Material	MAX. PV	MAX. P	MAX. V No Lubrication
FrelonGOLD®	20000 (psi x ft./min.) or 0.7 N/mm ² x m/s	3000 psi or 20.68 N/mm ²	300 sfm or 1.524 m/s

PV = The performance measurement of plain bearings.

PV = P x V, where P = pressure (load) in psi (kgf/cm²)

V = velocity (speed) in sfm (m/min.)

PV Example: Load = 85 psi

Speed = 180 ft./min.

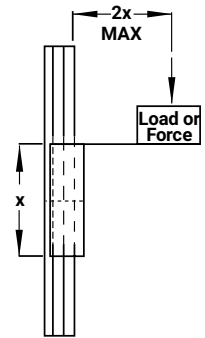
PV = 85 x 180 = 15,300 PV

Note: All three parameters must be met by an application for the bearing to perform properly.

Note: FrelonGOLD® bearing material coefficient of friction is 0.125.

Cantilevered Loads

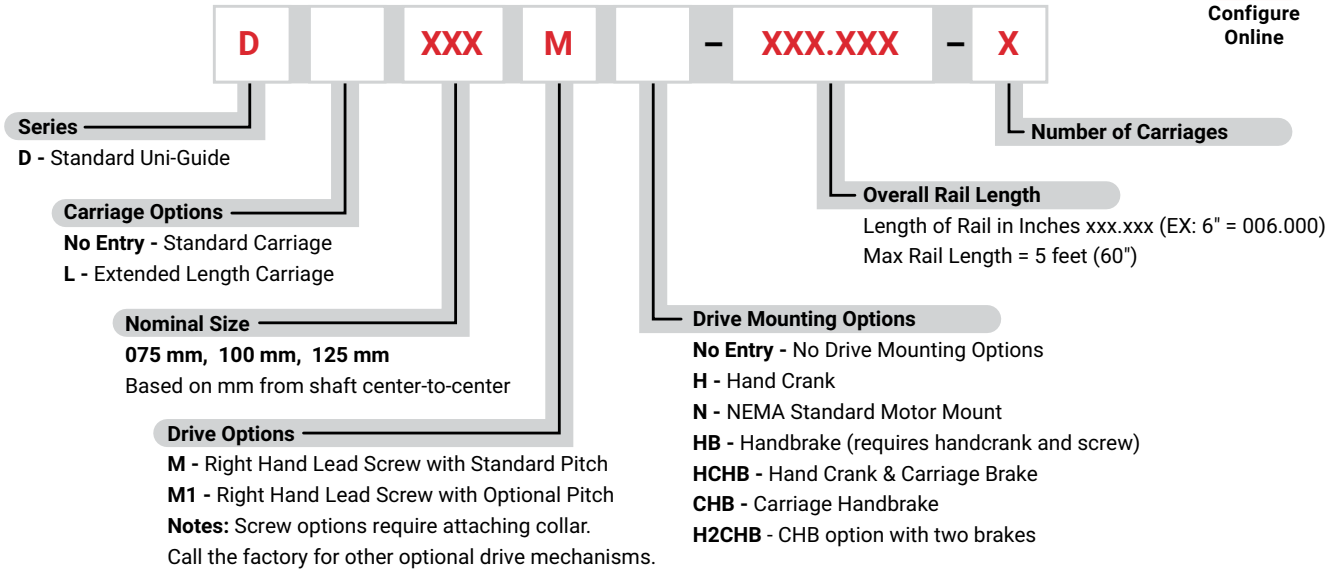
Binding of the carriage will occur if the 2:1 ratio for cantilevered loads and drive forces is exceeded. This principle is not load or force dependent. It is a product of the coefficient of frictions associated with plain bearings. Contact factory or website for additional information.





Configure
Online

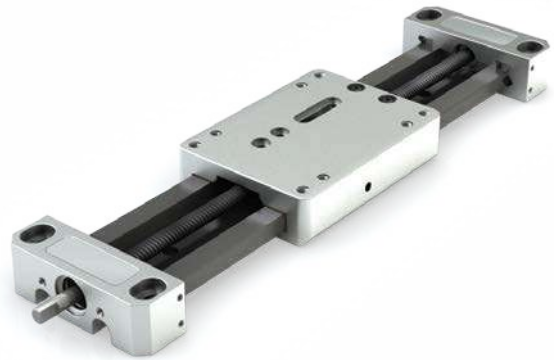
ORDERING INFORMATION



Note: Specify Y dimension (hole to end) at time of order.

Low Profile Uni-Guide™

PBC Linear offers a Low Profile Uni-Guide driven system through the SIMO Series line of products. This process has revolutionized traditional machining. The SIMO process uses synchronized cutters, eliminating built-in extrusion variances by machining all critical edges concurrently. This ensures tight tolerances, limited variance and a remarkably straight and repeatable surface at negligible additional cost.



Product Overview

- Utilizes a self-lubricating and maintenance free nut
- Standard fixed nut or Constant Force anti-backlash nut available
- Lead screw material:
 - 10 mm diameter
 - 300 series stainless steel with PTFE coating
 - 1, 2, 5, 10, 16 mm leads most common
 - Other leads available – consult factory
- Ideal for a broad range of applications such as kiosks, assembly, automation, medical, and laboratory

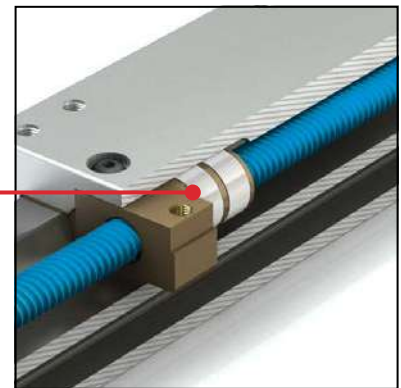
Features & Benefits

- Standard integrated screw stepper motors
 - 42 mm (NEMA 17)
 - 56 mm (NEMA 23)
- Integrated lead screw eliminates components and tolerance stack-ups
- Improves rigidity and performance
- Reduces system cost

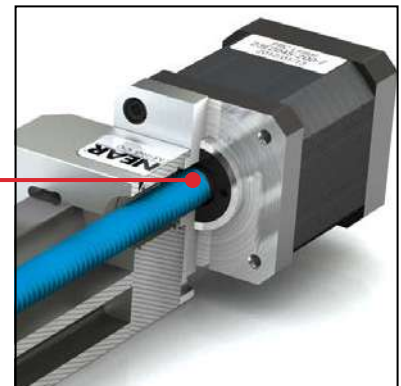
Accessories

- Hand knobs – for manual positioning or applications that require precision adjustment
- Riser blocks
- Toe clamps and t-nuts
- Brake knobs
- Optional motor mounts

Patented Constant Force Technology nuts provide consistent anti-backlash operation



Drive end screw support bearings are integrated into the stepper motor



See other bearing and drive options in the full UG Series - SIMO Series Catalog.

MINI-RAIL

LP MINI-RAIL

LP UNI-GUIDE

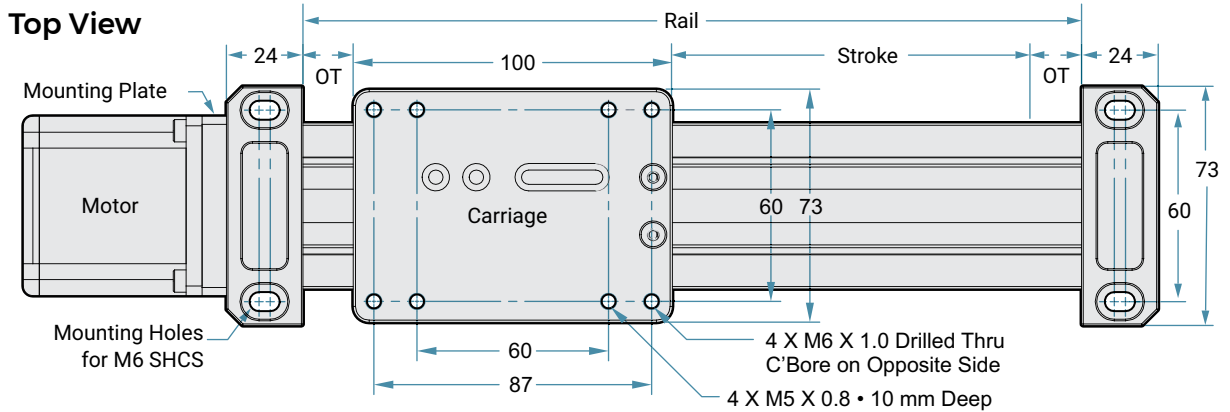
UNI-GUIDE

MINI-RAIL

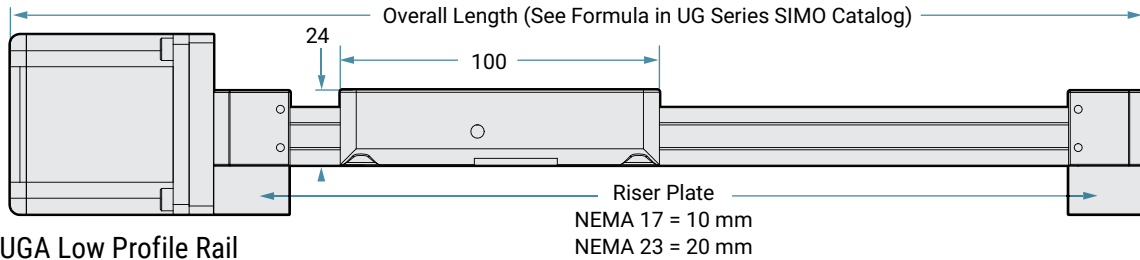
UNI-GUIDE

LP UNI-GUIDE

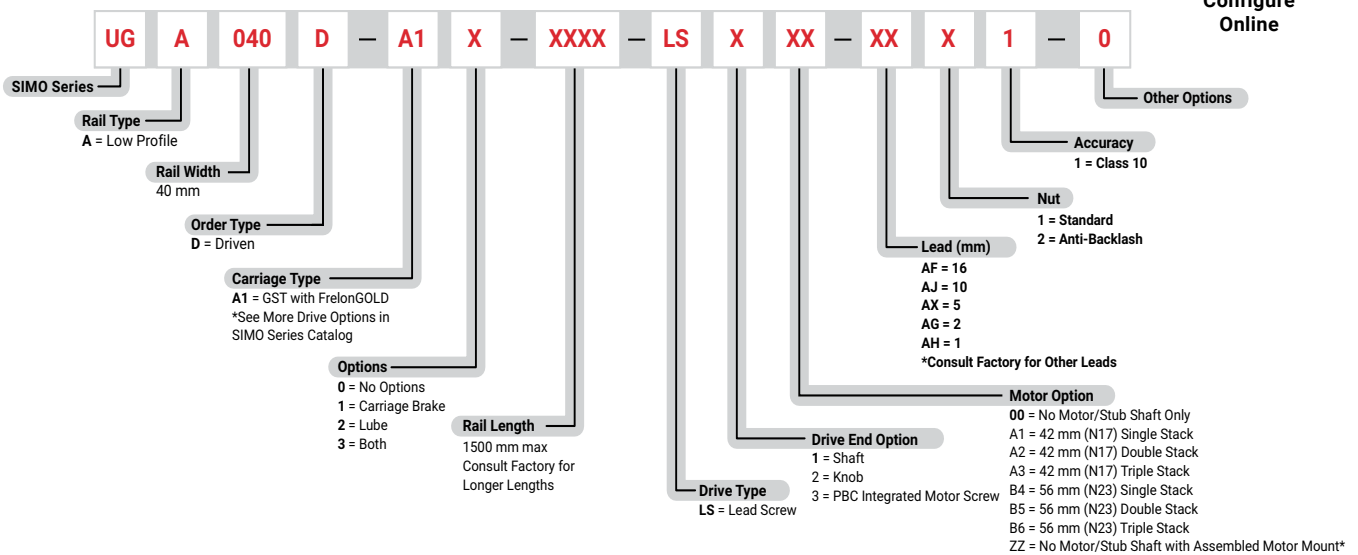
SYSTEM DIMENSIONS



Side View



ORDERING INFORMATION



Plain Bearings • Frelon® Material

Product Overview

- Frelon liner is bonded to the carriage at the molecular level, which transfers the load and dissipates heat buildup
- No metal-to-metal contact provides a smoother, quieter running assembly
- Anodized aluminum prevents rust and corrosion
- Maintenance free, smooth and quiet operation - plus long life
- No rolling elements, no catastrophic failure

Frelon Liner Materials

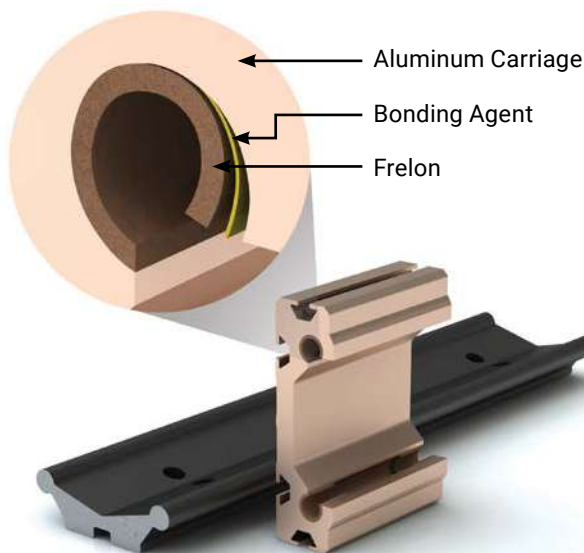
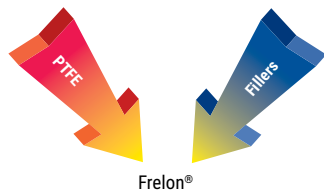
Frelon liners are compounds of PTFE and fillers developed for improved performance over other bearings. They provide low wear, low friction, self-lubrication, and high strength.

PTFE Features:

- Self-lubricating, runs without added lubricant
- Embeddability of hard particulate
- Wide temperature range (-400°F/+400°F) (-240°C/+204°C)
- Chemically inert
- Vibration damping and shock resistant

Filler Benefits:

- High load capacity
- High strength
- Low wear rate versus other materials



Load Capacity of Liner

Bearing Material	Static Load Capacity
FrelonGOLD®	3000 psi or 210.9 kgf/cm ²

- Frelon liner can carry from 4 to 20 times the load capacity of a ball bearing
- Allows the engineer to maintain performance in a smaller designed package
- Shock loads and vibration are absorbed

Speed Characteristics

Bearing Material	No Lube Continuous Motion	No Lube Intermittent Motion	With Lubrication*
FrelonGOLD	300 sfm 60 in./sec. 1.524 m/sec.	825 sfm 165 in./sec. 4.19 m/sec.	825 sfm 165 in./sec. 4.19 m/sec.

Exceeding these speeds causes frictional heat and accelerates liner wear.

*Depending on the lubrication used, loads, and frequency of continuous or intermittent motion, speeds can be in excess of the numbers shown.

Performance Ratings (for Linear Motion)

Plain bearings are rated by their limiting PV which is a combination of load over a given surface area and the velocity.

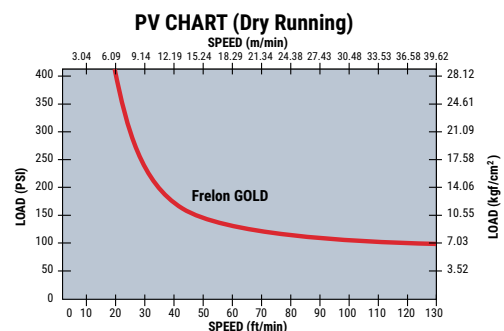
PV = The performance measurement of plain bearings

PV = P x V where P = pressure (load) in psi (kgf/cm²)

V = velocity (speed) in sfm (m/min.)

Note: All 3 parameters must be met by an application for the bearing to perform properly.

Bearing Material	MAX. "PV"	MAX. "P"	MAX. "V" No Lubrication
FrelonGOLD	20,000 (psi) x ft./min.) or 430 (kgf/cm ² x m/min.)	3000 psi or 210.9 kgf/cm ²	300 sfm or 91.44 m/min.



Plain Bearings • Frelon® Material

Transfer Process of Liner to Rail

The interaction of Frelon material and the rail creates a natural, microscopic transfer of Frelon to the running surface. A thin film is deposited on the rail, and the valleys in the surface finish are filled in with Frelon material during the initial break-in period. This transfer creates the self-lubricating condition of Frelon riding on Frelon.

This break-in period will vary depending on several criteria:

- **Preparation of the rail prior to installation:** It is best to clean the rail with a 3-in-1 type oil before installing the carriages. This ensures that the surface will receive a full transfer of material.
- **Speed, load, and length of stroke specific to the application:** Typically, the initial transfer process will take approximately 50-100 strokes of continuous operation. The running clearance on the bearing will increase an average of 0.0002" to 0.0005", depending on the length of the stroke and surface requiring the transfer.
- **How often the rail is cleaned:** If the rail is cleaned regularly, increased wear will be seen in the carriage. This is due to the transfer process being performed over and over again.



Do not repeatedly clean the rail with alcohol! This will remove the previously transferred material entirely and increase the wear to the carriage liner.

Lubrication

- Reduce friction up to 50%.
- Minimize wear of liner.
- Reduce heat buildup allowing greater speeds. Actual speeds achieved are dependent on type of lubricant and frequency of application.
- Aid in cleaning the rail for a proper transfer process. Initial lubrication is strongly recommended.

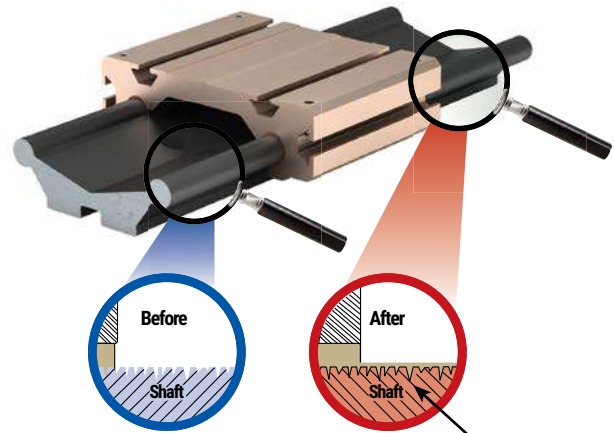
Chemical Resistance

The bearing surface of the rail can stand up to harsh environments and will provide excellent performance in a submerged condition.

FrelonGOLD – the fillers in the material can be attacked by deionized water and other harsh chemicals.

Anodized Aluminum (Standard) – good chemical resistance in most industrial applications.

Frelon Transfer Process



At break-in, Frelon deposits a microscopic film on the shaft and fills the valleys in the surface finish creating a Frelon-on-Frelon running condition that is true self-lubrication.

RECOMMENDED LUBRICATION

- Waylube Oil
- Light Weight Oils
- Petroleum Based Grease
- 3-in-1 oils



NOT RECOMMENDED

- WD-40
- PTFE Sprays
- Fluorocarbons
- Silicon Oils, Grease or Spray

WD40® is a registered trademark of the WD40 company



More Information about Chemical Resistance

Plain Bearings • Frelon® Material

Temperature

GST linear guides can operate in a wide range of temperatures (-400°F/+400°F) (-240°C /+204°C).

- Maintains the same performance characteristics
- The thin liner allows heat to dissipate through the carriage

Thermal Expansion

The standard bearing clearance options are designed for use in most industrial applications.

For temperatures below 0° F, the Standard I.D. is recommended.

For extreme high temperatures, Mini-Rail offers the Compensated I.D. which is recommended for the increased running clearance.

CAUTION It is always best to inspect actual size at extreme temperatures to insure proper running clearance.

Vacuums/Outgassing/Cleanrooms

Due to self-lubrication, low outgassing, and a minimum of particulate (buildup), the carriages are excellent in clean rooms and vacuums.

Testing has been done on the Frelon® materials in accordance with ASTM E-595-90 with acceptable maximums of 1.00% TML and .10% CVCM.

Material	%TML	%CVCM
FrelonGOLD	0.00	0.00

TML = Total Mass Loss

CVCM = Collected Volatile Condensable Materials

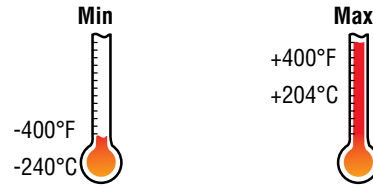
Washdown and Submerged Applications

GST linear guides will provide excellent performance in a wash-down or submerged condition.

The linear guide will employ the fluid as a lubricant showing increased velocities and wear life. Oils and non-salt water are especially effective.

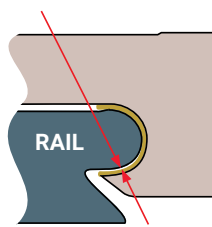
Note: Please contact manufacturer before utilizing units with the FrelonGOLD liner for submerged applications.

Temperature Extremes



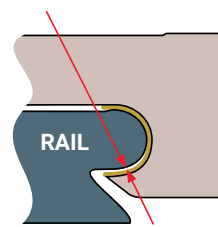
Precision Series

0.025–0.051 mm
Running Clearance
(Ceramic Coated)



Compensated Series

0.064–0.089 mm
Running Clearance
(Ceramic Coated)



Note: The only GST product that offers the Compensated I.D. is Mini-Rail.



TECHNICAL

Plain Bearings • Types & Effects of Lubrication

Types and Effects of Lubrication

Lubrication is any outside technique used for reducing the friction, wear, or both of a bearing. **Proper lubrication of carriages is critical.** Evaluate lubrication needs on an application by application basis to determine whether or not it should be used at all, what type is needed, and how it is applied. Below are some criteria on which to base the lubricant decision:

Do not use WD40™, PTFE sprays, or other oils, greases, or sprays that contain fluorocarbons or silicone. In testing, these lubricants have proven to cause long-term stick-slip problems with the Frelon lined carriages. They tend to become a gummy substance that ultimately increases friction.

WD40™ is a registered trademark of the WD40 Corporation.

Recommended Lubricants:

- Way lube oils
- Lightweight oils
- 3-in-1 type oils
- Lightweight petroleum based greases

Using Oils with GST Units

DO NOT USE ANY TYPE OF MOTOR OIL OR OILS WITH ADDITIVES! These types of oils work well short term, but quickly become ineffective, and will cause stick-slip reactions. As a rule of thumb, the less additives in the oil, the better the performance. Recommended oils are Mobil Vactra #2 (a way lube oil) and any standard 3-in-1 oil. The 3-in-1 oils are tremendous cleaning oils and are the best in preparing for a proper transfer of teflon to the rail.

Grease Products

DO NOT USE A MOLY FILLED OR OTHER TYPE FILLED GREASES! They become like a lapping compound and increase wear dramatically.

Proper Use of Greases

Proper use of grease is critical for trouble-free operation. If a felt wick is present, be sure it is removed because grease inserted into the carriage will cause the wick to act like a brake.

Do not fill all of the running clearance with grease!

The temptation is to treat it like a rolling element and fill it until it weeps from the end. This will cause greater friction and binding.

The rule of thumb for the carriage liner that “thin is better” applies to the use of grease also.

If grease is used and does not work in the application, it is possible to salvage the carriage with minimal work and to continue to operate. Follow the steps below:

1. If possible, remove the carriage from the rail, wipe the grease from the liner, use a 3-in-1 type oil to clean the excess remaining grease, and reinstall.
2. If it is not possible to remove the carriage, wipe as much grease as possible away from the ends, then start to add a 3-in-1 type oil for cleaning the liner. If there is a Zerk hole, apply forced air to the carriage to speed the cleaning process and continue using oil lubrication.

Plain Bearings • Cantilevered Loads

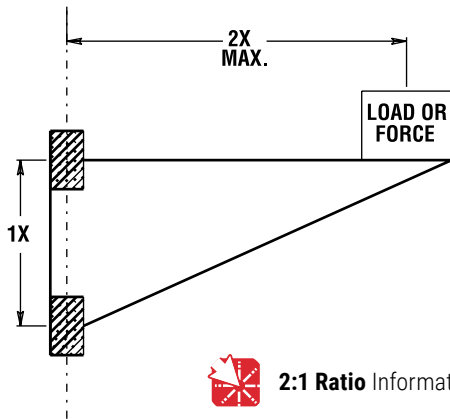
Cantilevered Loads

- Maximum 2:1 ratio
- 1x = carriage separation on same rail
- 2x = distance from rail to load or force

Example: If 2x equals 10" then 1x must be at least 5"

Binding will occur if the 2:1 ratio is exceeded!

CAUTION This principle is NOT load dependent! It is NOT due to edge loading. It is also NOT dependent on the driving force used! The carriages will bind whether hand or mechanically driven. This principle is a product of friction.



Working through the following equation will explain why this is a product of friction:

P = force being applied

L = distance out from rail that P is being applied

s = center to center spacing of carriage

f = resultant force on carriage by rail

F = friction force on each carriage

μ = coefficient of friction (about .25 when not moving)

Balance the moments: $f * s = L * P$

$$L / s = f / P$$

Compute friction force: $F = f * \mu$

Note: Total friction force pushing up is $2 * F$. To lock up the slide, the total friction force must be equal to (or greater than) P.

$$P = 2 * F = 2 * f * \mu$$

Substitute for P:

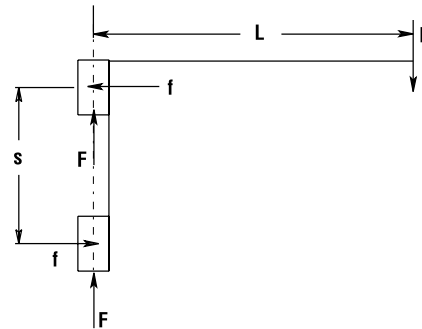
$$L / s = f / (2 * f * \mu) = 1 / (2 * \mu) \Rightarrow L / s = 1 / (2 * \mu)$$

Note: The forces drop out of the equation

Assume static coefficient of friction is .25 ($\mu = .25$) then $L / s = 2$ That is the 2:1 ratio.

There may be other factors that add to the braking effect, but the coefficient of friction is the main cause.

Note: Proper lubrication can help to drop friction and extend the 2:1 ratio.



Plain Bearings • Cantilevered Loads

Counterbalance

If holding the 2:1 ratio is not possible, one method of preventing binding problems is using a counter balance.

Use the number of bearing pads or surfaces within a carriage and determine spacing based on the length of the carriage.

For efficient counter balances in horizontal applications, use this formula:

$$M * Y = W * Z$$

Note: To avoid problems when running without mass:

$$(M) Z = 1-1/2 s$$

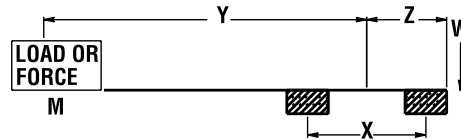
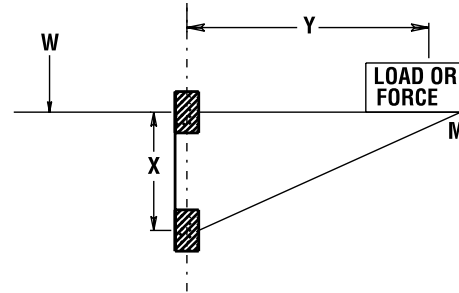
W can be calculated. Load on bearing will be:

$$\frac{M + W}{\text{\# of carriage}}$$

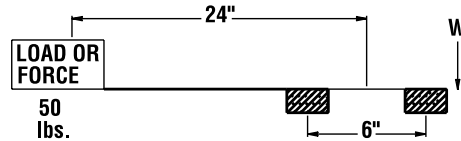
Example: $50 * 24 = W * Z$ ($Z = 1-1/2 * 6 = 9$)

$$\frac{W = 50 * 24 = 133 \text{ lb.}}{9}$$

Load per bearing: $\frac{50 + 133}{4} = 45.75 \text{ lb. / bearing}$



EXAMPLE:



Cantilever Loads and Drive Force Location without Counterbalance

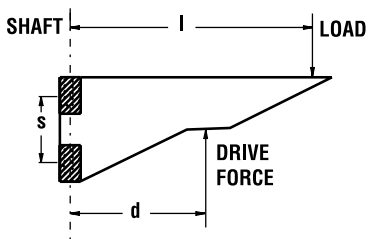
d = distance from shaft to Drive Force

l = distance from shaft to the load center of gravity

s = center to center spacing of the carriage on the rail
(If non-self-aligning, then outside to outside distance should be used.)

L = l / s = Load Force Ratio

D = d / s = Drive Force Ratio



General Rules:

- Drive Force Ratio (D) should never be larger than 2. A Drive Force Ratio (D) larger than 2 can cause the slide to lock up.
- Load Force Ratio (L) can be larger than 2, but as this ratio increases, the drive force required to move the slide increases dramatically. A Load Force Ratio (L) larger than 4 is not recommended.
- If the slide is occasionally operated unloaded, use the distance to the slide's center of gravity as the distance to the load (l).

Vertical Applications:

- If L is between 0 and 2, the lowest drive forces occur when the value of D is about 90% of L ($D = .9 \times L$). However, D values between 0 and L will work fine.
- If L is between 2 and 4, use this equation: $D = 4 - L$

Horizontal Applications:

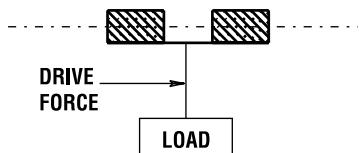
For best results, the drive force should be applied as close to the shaft as possible no matter what the value of the Load Force Ratio (L) is.

Hanging or "Top Heavy" Horizontal Applications with High Acceleration Rates:

If your application will have high acceleration forces, use this formula for the value of the Drive Force Ratio:

$$D = 0.8 \times L \times \sqrt{a}$$

where a is acceleration in g's.



Plain Bearing • Chemical Reaction Information

FrelonGOLD® material is a composite of PTFE and a bearing filler. The PTFE is chemically inert. The chemical resistance shown in the chart below is defined by the compatibility of the filler with the various chemicals.

The table is provided as a reference only. The data given will be affected by factors such as temperature, PV, degree of contact, strength of solution, etc. In each specific application, it is always advisable to conduct specific testing to determine suitability of use. This table only addresses general corrosion, NOT galvanic, SCC, or other types of corrosion. Corrosion rates are at room temperature unless otherwise noted.

Standard and hard coat data only apply when the coating is intact. If the coating is worn through or damaged, an area of galvanic and pitting corrosion will be created. Then use the bare aluminum data.

Gliding Surface Technology products use aluminum alloy, which is known to have the best corrosion resistance of the high strength aluminum alloys. The sulfuric bath anodizing and nickel acetate sealing provide the best corrosion resistance available in anodized coatings. They can withstand a rigorous 14-day exposure in a 5% salt spray solution at 96°F per military specifications without significant damage. With the coating intact, it is considered to be inert in most fluids with a pH value between

5 and 8. Hard coat anodizing provides the same chemical resistance but is applied to a .002" thickness, providing a more durable surface that will stand up to greater abuse. However, if the coating is penetrated, the resistance is reduced.

Special stainless steel components use AISI 316 stainless, which has superior resistance over 303, 304, 420, 440, 17-4PH, and most other common stainless grades. 316 is generally considered to be the most corrosion resistant of conventional stainless steels.

Note: This information was compiled for Pacific Bearing® Company by Materials Engineering, Inc. of Virgil, IL. This specification information is believed to be accurate and reliable, however, no liability is assumed. Information is for reference only. User must test specific applications.

See Next Page for Chart



Plain Bearing • Chemical Reaction Chart

Chemical	Frelon GOLD®	Bare Aluminum	Standard & Hard Coat Anodized Aluminum	316 Stainless Steel	Chemical	Frelon GOLD®	Bare Aluminum	Standard & Hard Coat Anodized Aluminum	316 Stainless Steel
Acetic Acid, 20%	U	G	G	E	Hydrogen Sulfide, Dry	U	G	E	E
Acetone	G	E	E	E	JP-4	G	G	G	G
Ammonia, Anhydrous	G	E	E	E	Kerosene	G	G	G	G
Ammonium Hydroxide, 10%	U	U	U	E	Lactic Acid, 10%	G	G	G	E
Ammonium Chloride, 10%	U	U	U	G	Magnesium Chloride, 50%	G	U	U	G
Ammyl Acetate (122°F / 50°C)	G	E	E	E	Mercury	U	U	U	E
Barium Hydroxide	U	U	U	G	Methyl Alcohol	G	G	G	G
Beer	G	E	E	E	Methyl Ethyl Ketone	G	G	G	G
Boric Acid Solutions	G	E	E	G	Methylene Chloride	G	E	E	G
Butane	G	G	G	G	Mineral Oil	G	G	G	G
Calcium Chloride, 20%	G	G	G	G	Naptha	G	G	G	G
Calcium Hydroxide, 10%	G	G	G	G	Nitric Acid, 70%	U	U	U	E
Carbon Dioxide	G	E	E	G	Phosphoric Acid, 10%	U	U	U	E
Carbon Monoxide	G	E	E	E	Sodium Chloride	G	U	U	E
Chlorine Gas, Dry	G	G	G	G	Sodium Hydroxide, 20%	G	U	U	G
Chlorine Gas, Wet	U	U	U	U	Sodium Hypochlorite, 20%	U	G	G	U
Chromic Acid, 10%	U	G	E	E	Sodium Peroxide, 10%	U	G	G	G
Citric Acid, 5%	G	E	E	E	Steam (see water)	-	-	-	-
Ethyl Acetate	G	E	E	G	Sulfur Dioxide, Wet	U	U	U	G
Ethyl Alcohol	G	E	E	G	Sulfur Dioxide, Dry	G	G	G	G
Ethylene Glycol	G	E	E	G	Sulfur Trioxide	U	G	G	G
Ferric Chloride, 50%	U	U	U	U	Sulfuric Acid, 50%	U	U	U	U
Formic Acid - Anhydrous	U	E	E	E	Sulfurous Acid	U	G	G	E
Gasoline, Unleaded	G	G	G	G	Toluene (122°F / 50°C)	G	E	E	E
Hydrochloric Acid, 20%	U	U	U	U	Turpentine	G	G	E	E
Hydrochloric Acid, 35%	U	U	U	U	Water, Demineralized	U	G	E	E
Hydrocyanic Acid, 10%	U	G	G	G	Water, Distilled	G	U	S	G
Hydrofluoric Acid - Dilute	U	U	U	U	Sea Water	G	G	E	G
Hydrofluoric Acid, 48%	U	U	U	U	Water, Sewage	G	U	S	G
Hydrogen	G	E	E	E	Xylene	G	G	G	G
Hydrogen Peroxide - Dilute	U	E	E	G	Zinc Chloride Solutions	U	U	U	G

Performance	Wear
E = Excellent	< .002" per year
G = Good	< .020" per year
S = Satisfactory	< .050" per year
U = Unsatisfactory	> .040" per year

Optimized Solution with Gliding Surface Technology

Application PROBLEM:

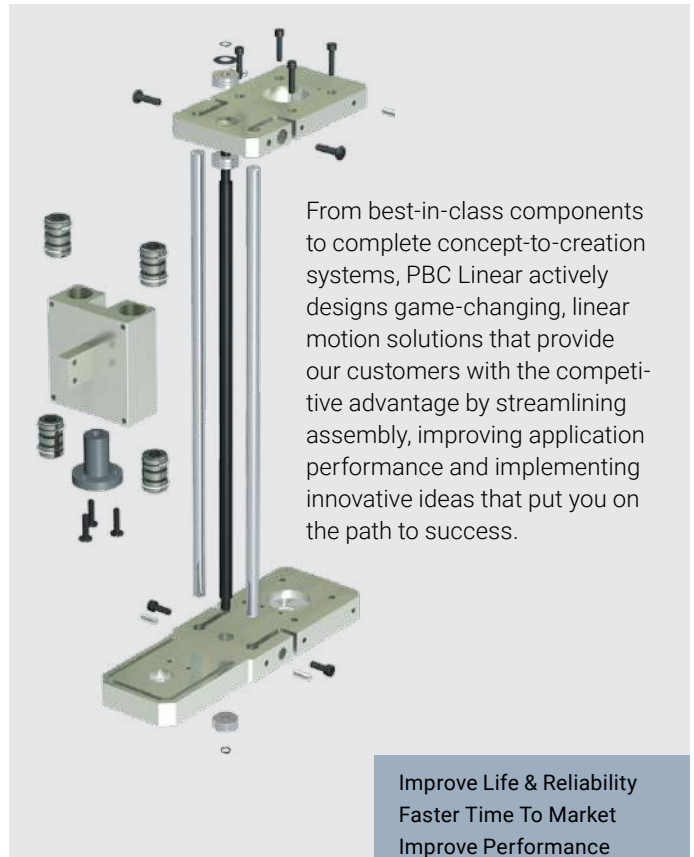
Material handling and positioning of samples on a blood chemistry analyzer.

Problems with Intial Design:

- Numerous Parts
- Multiple Machining Operations
- Complex Assembly
- Several Part/Machine Vendors

Component Solution	
2	End Blocks
3	Screw Support Bearings
2	Shafts
1	Lead Screw
4	Shaft Bearings
1	Lead Screw Nut
20	Fasteners & Dowels
3	Complex Machined Parts
!	SEVERAL VENDORS

= **33**
COMPONENTS



From best-in-class components to complete concept-to-creation systems, PBC Linear actively designs game-changing, linear motion solutions that provide our customers with the competitive advantage by streamlining assembly, improving application performance and implementing innovative ideas that put you on the path to success.

- Improve Life & Reliability
- Faster Time To Market
- Improve Performance
- Reduce Risk
- Reduce Total Costs
- Streamline Assembly

PBC Linear Solution:

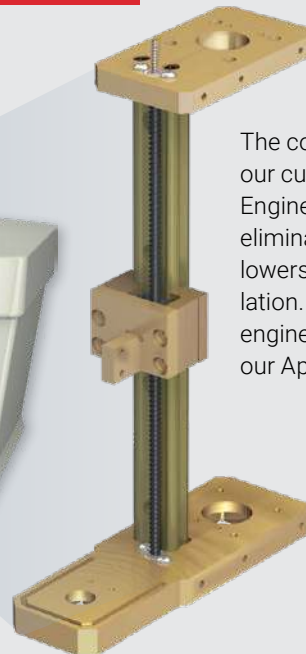
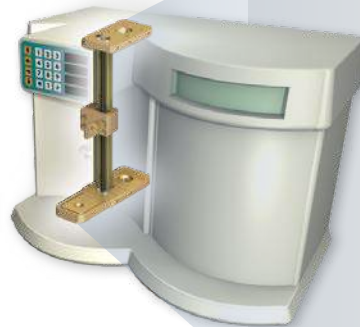
- Compact, zero maintenance design with GST's FrelonGOLD® Liner
- Significantly reduced part count
- Simplified assembly and improved aesthetics
- Complete solution from one vendor

= **1**
COMPONENT

**PBC LINEAR
ENGINEERED
SOLUTION**

40% SAVED IN ASSEMBLY COSTS

Watch the Case Study Video



The communication between our customers and Application Engineers allows PBC Linear to eliminate large part counts and lowers cost of time and installation. Start working on your engineered design, e-mail one of our Application Engineers now!

E-mail our application engineers to get started on your optimized solution!

Email an Application Engineer



A Pacific Bearing Company

Engineering Your Linear Motion Solutions



Global Footprint



📍 PBC Linear Worldwide Headquarters

6402 E. Rockton Road, Roscoe, Illinois 61073 USA

Tel: +1.815.389.5600 • Toll-Free: +1.800.962.8979

Fax: +1.815.389.5790

sales@pbclinear.com • pbclinear.com

📍 PBC Linear Europe GmbH European Headquarters

Bonner Straße 363, 40589 Duesseldorf, Germany

Tel: +49 211 545590 20 • Fax: +49 211 545590 39

info@pbclinear.eu • pbclinear.eu

📍 PBC-MOONS China Headquarters

168 Mingjia Road, Minhang District, Shanghai 201107, P.R. China

Tel: +86 21 52634688 • Fax: +86 21 52634098

info@moons.com.cn • www.moons.com.cn

Range of Offerings



Components

Mechatronics

Request a FREE Product Sample



Uni-Guide
D075, 9.5" Rail

Low Profile Uni-Guide
UGA40, 9" Rail

Mini-Rail Linear Guide
MR15, 97 mm Rail

pbclinear.com/Contact-Us/Sample-Request

Distributed by

PBC Linear has a global network of distributors with thousands of locations worldwide.

Visit pbclinear.com to find a distributor near you.

All information within this catalog is correct at the time of printing. However, in some instances adjustments need to be made, and this may cause specific information to become outdated. For the most current version, please reference our online catalog through the resources menu at pbclinear.com.

©2014 PBC Linear®, A Pacific Bearing Company • "PBC Linear" and "PBC Lineartechnik GmbH" are subsidiaries of Pacific Bearing Company ("PBC"). Specifications are subject to change without notice. It is the responsibility of the user to determine and ensure the suitability of PBC's products for a specific application. PBC's only obligation will be to repair or replace, without charge, any defective components if returned promptly. No liability is assumed beyond such replacement. Other corporate and product names, images, text and logos may be trademarks or copyrights of other companies and are used only for explanation and to the owners benefit; without intent to infringe. This document may not be reproduced, in part or whole, without the prior written authorization of PBC. Consult pbclinear.com for the latest technical updates.

LITGST-011 v18 (01-2025)